

100% Money Back
Guarantee

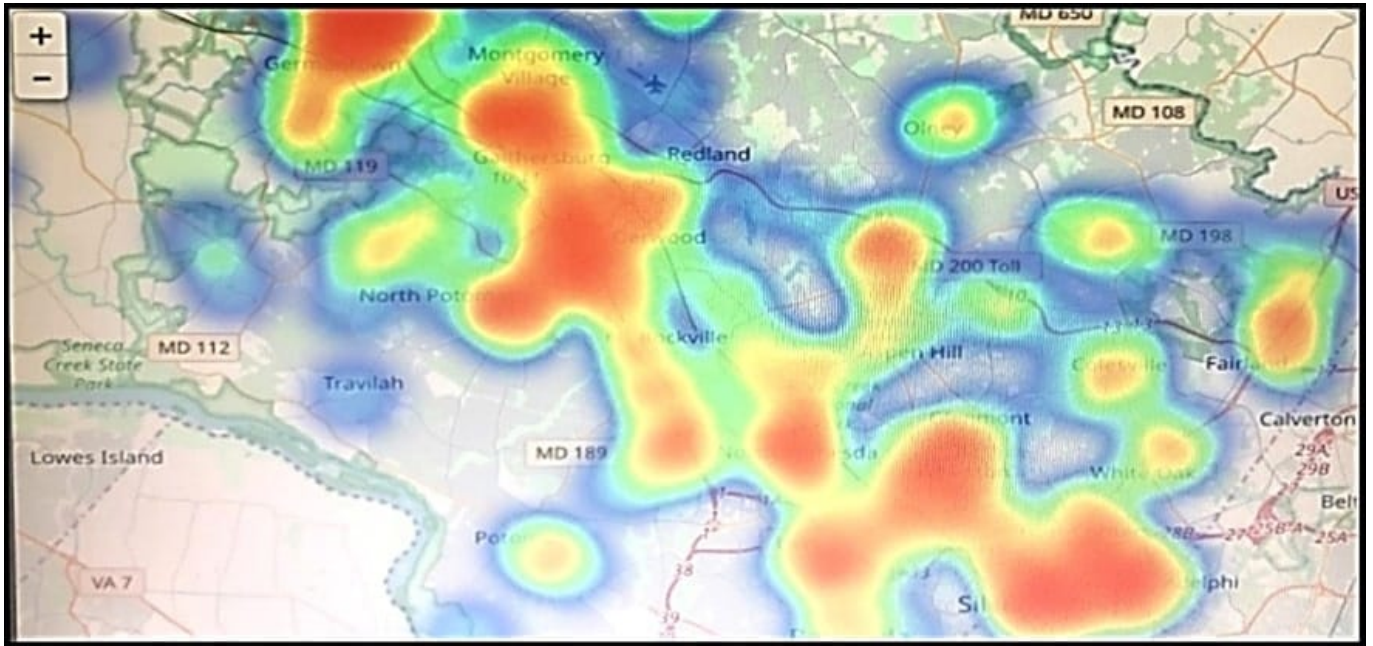
Vendor:Cisco

Exam Code:300-915

Exam Name:Developing Solutions using Cisco IoT
and Edge Platforms (DEVIOT)

Version:Demo

QUESTION 1



Refer to the exhibit. Which two statements are true? (Choose two.)

- A. That is a heatmap projected on top of a geographic map.
- B. That is a treemap projected on top of a geographic map.
- C. The color red usually stands for lower values and the color blue usually stands for higher values.
- D. Another suitable visualization technique for this image would be line graphs.
- E. The color blue usually stands for lower values and the color red usually stands for higher values.

Correct Answer: AE

QUESTION 2

Which two data sources are used with a visualization tool such as Grafana? (Choose two.)

- A. Microsoft Power BI
- B. Kibana
- C. InfluxDB
- D. Elasticsearch
- E. Tableau

Correct Answer: CD

QUESTION 3

After an application is deployed, potential issues arise around connectivity. As part of the troubleshooting process, the IP address must be determined to ensure end-to-end communication.

Which method provides the required details using the Cisco IOx CLI?

- A. ioxclient application status
- B. ioxclient application metrics
- C. ioxclient application getconfig
- D. ioxclient application info

Correct Answer: D

QUESTION 4

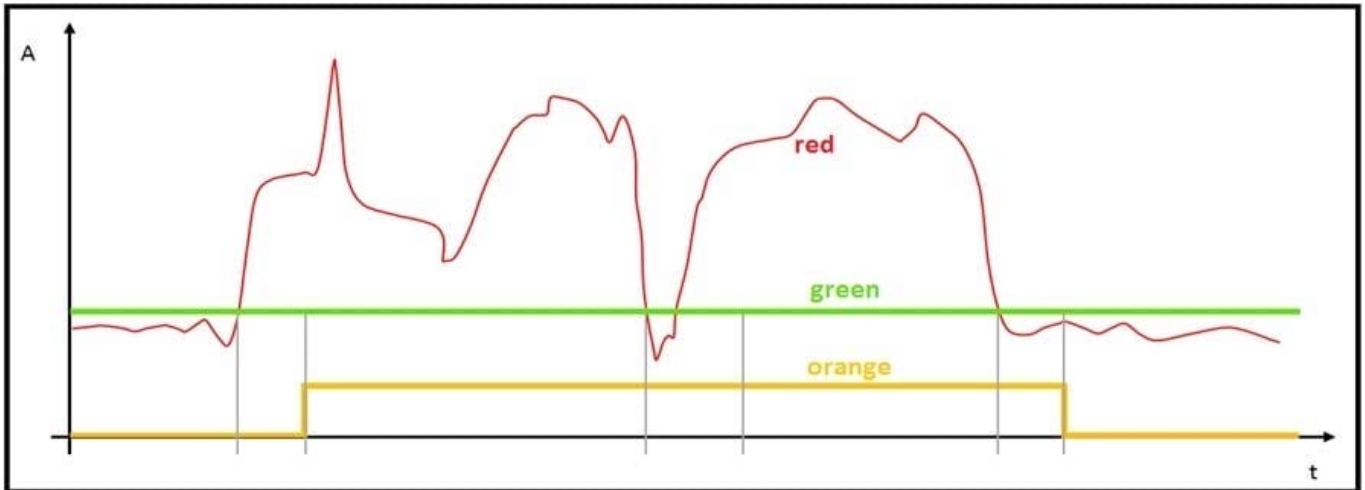
When an RS232 device is connected to a Cisco IR829 router, the data collected is not being parsed correctly by the edge application.

Which two steps should be taken to troubleshoot the issue? (Choose two.)

- A. SSH access on the Cisco IR829 router must be enabled for IOx Guest OS.
- B. Communication mode must be set to half duplex over serial connection.
- C. Serial cable length should not exceed 1.5 meters.
- D. Ensure that communication parameters like baud rate and parity are set correctly.
- E. Set the cable connections based on the PIN layout from the sensor vendor.

Correct Answer: DE

QUESTION 5



Refer to the exhibit. The red line represents the energy consumption of an industrial machine.

Which two statements about the graphs are true? (Choose two.)

- A. The orange graph is expected to drop to zero for a brief period around the midpoint on the x axis.
- B. The red graph contains the raw data points.
- C. The green graph is the mean value of the data points.
- D. The green graph does not give us any valuable information.
- E. The orange graph has three values on the y-axis.

Correct Answer: BC

QUESTION 6

Which two commands inside a Docker container on a gateway help to troubleshoot why the compute performance of the device is slowing down? (Choose two.)

- A. show processes
- B. top
- C. wmic
- D. ps
- E. proc

Correct Answer: BD

QUESTION 7

Mosquito was installed correctly on the Cisco IR829 router as a Cisco IOx application. When the sensor is connected to

the broker on the Cisco IR829 router with the default port, the connection is refused (Error Code 5).

Which action should be done to resolve the issue?

- A. Insert in the IOS config: ip nat inside source static tcp 1883 interface GigabitEthernet0 1883
- B. Insert in the package_config.ini file under section ports: tcp: ["8883"]
- C. Use the correct username and password.
- D. Insert in the package.yaml file under section ports: tcp: ["1883"]

Correct Answer: C

QUESTION 8

Which statement explains the correct position of a PLC within the CPwE architecture?

- A. PLCs are always part of Level 0 ?process control.
- B. PLCs are part of Level 4 ?site business planning.
- C. PLCs are part of Level 1 ?basic control.
- D. PLCs are placed at Level 2 ?area supervisory control.

Correct Answer: C

QUESTION 9

As part of an IoT project, an organization is developing an application that will share multiple clients using a REST API.

Based on the software development process, what are two valid technical activities that can be suggested to secure the REST API that is developed during the development of the software? (Choose two.)

- A. Respond to request failures in detail to allow users for easier troubleshooting.
- B. Implement HTTP whitelisting to only methods that are allowed.
- C. Implement and review audit logs for security-related events.
- D. Reject HTTP methods that are invalid with an error code 404.
- E. Implement physical firewalling and access control to the resources.

Correct Answer: BD

QUESTION 10

A sensor reads potentially critical data from an industrial device, but most of the data from the sensor is not critical information and does not change unless a critical event happens.

Which data work flow is appropriate for how the critical and non-critical data is processed?

A. 1. Acquire sensor data.

2.

Filter non-actionable data.

3.

Perform action on data.

4.

Send critical data and action performed on data to cloud for storing.

B. 1. Acquire sensor data.

2.

Send data to cloud for processing and to determine action.

3.

Send required action back to edge for action completion.

4.

Perform action on data.

C. 1. Acquire sensor data.

2.

Filter non-actionable data.

3.

Perform action on data.

D. 1. Acquire sensor data.

2.

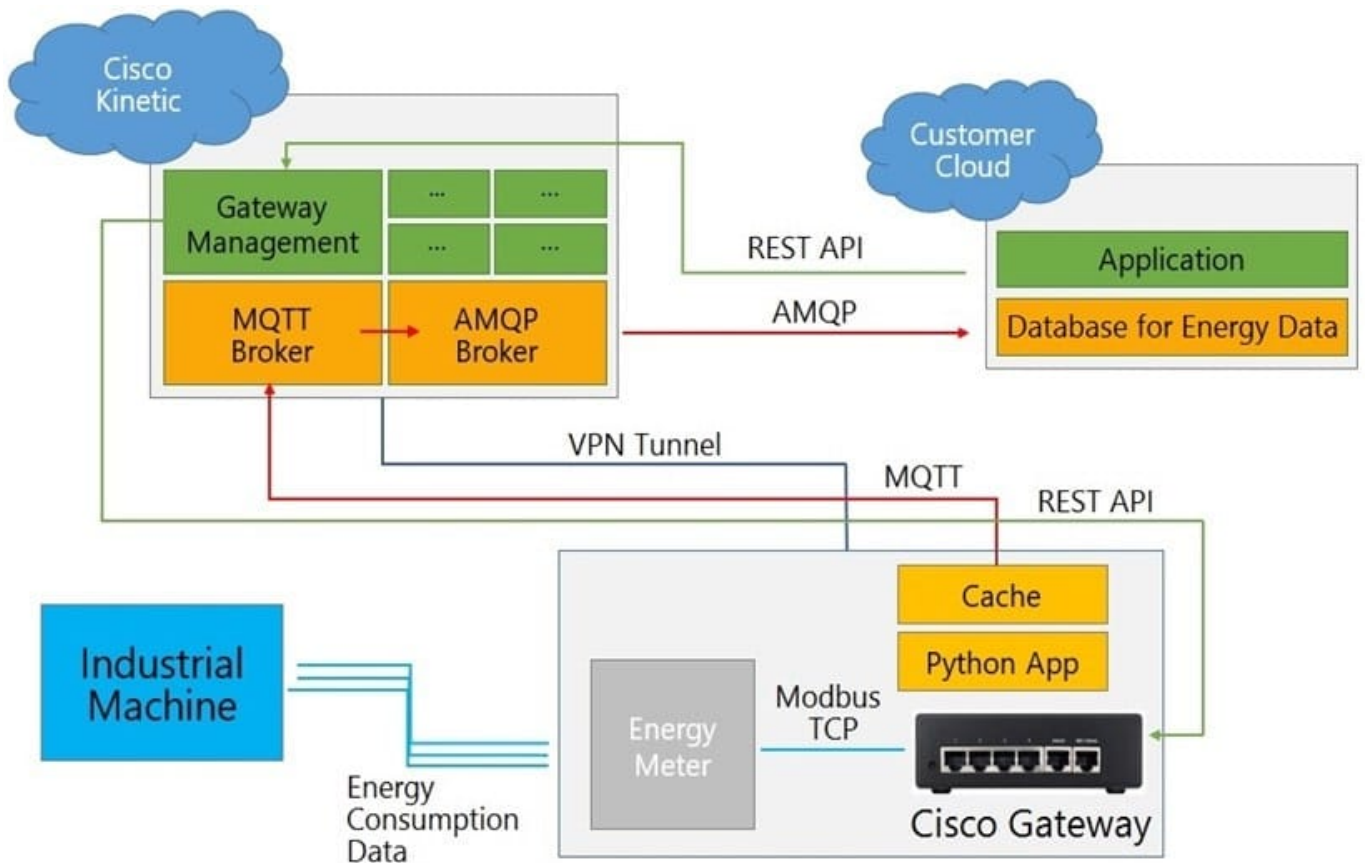
Perform action on data.

3.

Send data and action performed on data to cloud for recording.

Correct Answer: D

QUESTION 11



Refer to the exhibit. Which two statements about data flow are true? (Choose two.)

- A. Another AMQP broker should be implemented on the customer cloud.
- B. Instead of AMQP, MQTT should be used for compatibility issues in a cloud-to-cloud connection.
- C. A VPN tunnel is not necessary because the MQTT payload is encrypted by default.
- D. The gateway must stay constantly connected to the Kinetic cloud to avoid blank data sets, even when using caching functions.
- E. The Python application could use the paho-mqtt library.

Correct Answer: BE

QUESTION 12

```
FROM devhub-docker.cisco.com/iox-docker/ir800/base-rootfs:latest

RUN opkg update && opkg install python
COPY sample.py /usr/bin/sample.py


CMD /usr/bin/sample.py
```

Refer to the exhibit. Which line of code completes the Dockerfile?

- A. RUN chmod 777 /usr/bin/sample.py
- B. RUN chown root:root /usr/bin/sample.py
- C. WORKDIR /usr/bin
- D. USER root

Correct Answer: A