

**Exam** : **310-345**

**Title** : Sun Certified System  
Administrator for Sun  
Cluster 3.2

**Version** : DEMO

1. What mechanism does Sun Cluster 3.2 use to keep the time-of-day clock synchronized between cluster nodes?

A.ntp

B.y2k

C.cron

D.rdate

Answer: A

2. Which two can be performed when using Solaris 10 zones? (Choose two.)

A.Run the complete cluster framework in non-global zones.

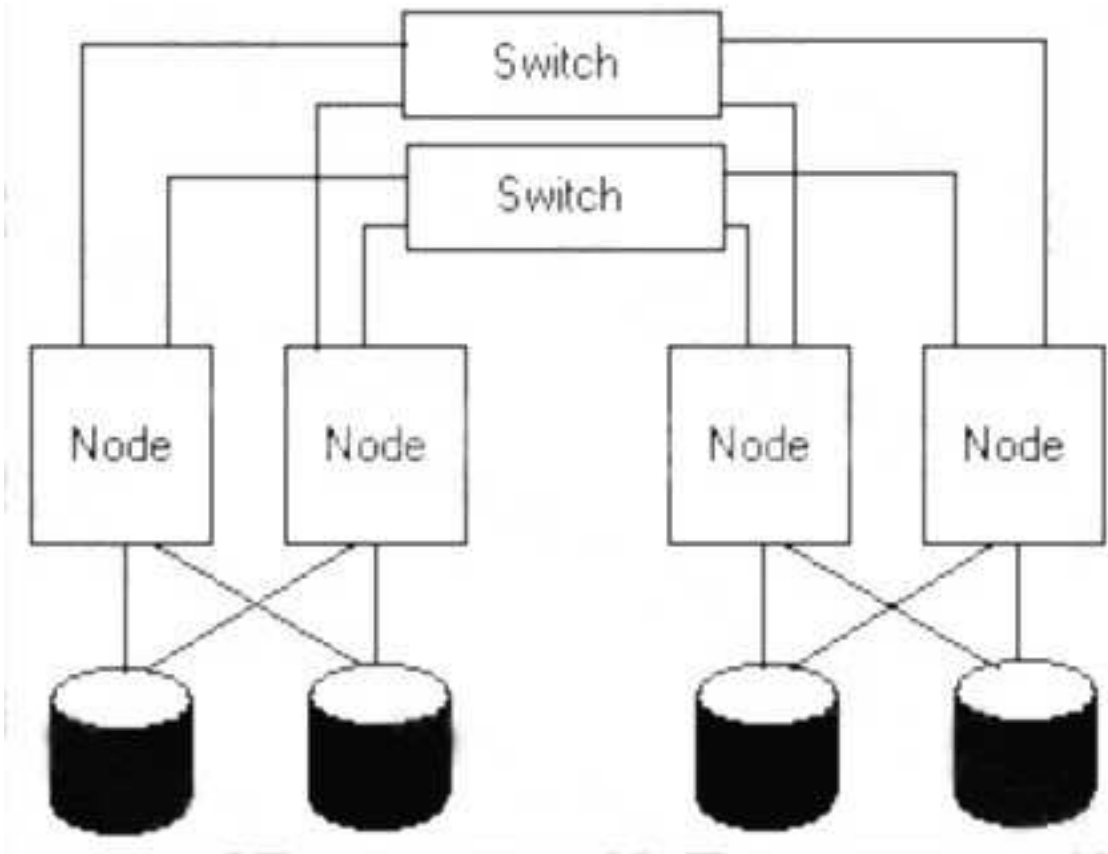
B.Configure a highly available nfs server only in a non-global zone.

C.Install an application that can fail over between non-global zones.

D.Install an application that can fail over between the global zones and the non-global zones.

Answer: CD

3. Given:



What is the name of the cluster topology shown?

- A.N+1
- B.Pair + N
- C.Scalable N\*N
- D.Clustered Pairs

Answer: D

4. Which four files and settings get automatically configured by scinstall? (Choose four.)

- A./etc/hosts
- B./etc/vfstab
- C.auto-boot?
- D./etc/dfs/dfstab
- E./etc/defaultrouter
- F.local-mac-address?
- G./etc/inet/ntp.conf.cluster

Answer: ABFG

5. During the scinstall process the cluster administrator has to configure the cluster transport.

Which step does the cluster administrator have to perform in a typical cluster configuration?

A. Select the transport adapters.

B. Select the IP range for the private networks.

C. Construct the public network VLANS for a tagged VLAN.

D. Select the netmask for the cluster interconnect on a typical install.

Answer: A

6. When talking to support personnel the cluster administrator may need to know the version of your installed cluster.

What command will the cluster administrator use to obtain the installed cluster package release information on a node or all nodes?

A. `clclustrev -v`

B. `clnode show-rev -v`

C. `clclust node-rev -v`

D. `clnode clust-rev -v`

Answer: B

7. What command should be used to register a NAS device before it can be used as a quorum device?

A. `clnas add -t netapp -u root`

B. `clq add -t netapp -p qshost= \-p port=9000`

C. `clnas set -p`

D. `clq add -t netapp -u root`

Answer: A

8. You have a four-node cluster with no quorum device. The node mars will be down for an extended period of time.

After you have shut down mars, which commands, if any, should you run on one of the remaining nodes?

A. `clq disable mars`

- B.clq set -p maintenance mars
- C.cluster set -p maintenance mars
- D.None, cluster takes care of this automatically

Answer: A

9. Your customer has chosen to use Solaris Volume Manager for their shared disks. A diskset named ds1 has already been created with node1 and node2 being able to master the diskset. The customer would like to build a mirrored volume to contain their application data.

The diskset ds1 contains two 36 Gbyte disk drives using did devices d4 and d8.

The customer would like to use as volume names d101 and d102 as the submirrors and d100 as the mirror.

Which sequence of commands will accomplish this task?

- A.metainit d101 1 1 /dev/did/rdisk/d4s0  
metainit d102 1 1 /dev/did/rdisk/d8s0  
metainit d100 -m d101  
metattach d100 d102
- B.metainit d101 1 1 /dev/did/rdisk/d4s0  
metainit d102 1 1 /dev/did/rdisk/d8s0  
metainit d100 -m d101,d102
- C.metacreate -s ds1 d101 /dev/did/rdisk/d4s0  
metacreate -s ds1 d102 /dev/did/rdisk/d8s0  
metamirror -s ds1 d100 d101,d102
- D.metainit -s ds1 d101 1 1 /dev/did/rdisk/d4s0  
metainit -s ds1 d102 1 1 /dev/did/rdisk/d8s0  
metainit -s ds1 d100 -m d101  
metattach -s ds1 d100 d102

Answer: D

10. You are setting up a cluster. You want to mirror your storage devices using Veritas Volume Manager from one array to another.

Which software RAID volume management application would you use if your database application was Oracle RAC?

- A.Solaris Volume Manager
- B.Veritas Volume Manager
- C.Veritas Cluster Volume Manager
- D.Solaris Volume Manager for Sun Cluster

Answer: C

11. When using ZFS for your shared storage within the cluster, how do you specify the file system mountpoint?

- A.ZFS does not use mountpoints.
- B.You must define mountpoints in the /etc/vfstab file first.
- C.ZFS mountpoints default to /poolname/fsname, but you can change them to whatever you want using the zfs command.
- D.Sun Cluster chooses the name of the file system mountpoints for ZFS.

Answer: C

12. What is the reason that the Openboot Prom variable local-mac-address? needs to be set to true?

- A.This setting is NOT required in Sun Cluster 3.2.
- B.There is no logical reason for this setting to be true.
- C.Cluster transport will fail if the setting is false.
- D.The test address enables test traffic on ALL members of the IPMP group.

Answer: D

13. The clrg show command shows the following output for pippo-rg resource group.

Resource group nfs-rg is configured to run only on node fachiro.

Resource Group: pippo-rg

RG\_description:

RG\_mode: Scalable

RG\_state: Unmanaged

RG\_project\_name: default

RG\_affinities: --nfs-rg

RG\_SLM\_type: manual

Auto\_start\_on\_new\_cluster: True

Failback: False

Nodelist: fachiro zippo

Which is correct about the resource group configuration?

- A.It is a scalable resource group that will not run on node fachiro if nfs-rg is online.
- B.The nfs-rg resource group will stop when pippo-rg switch to node fachiro.
- C.RG\_affinities cannot be configured into a scalable resource group.
- D.The clrg show + command would provide different information about the resource group.

Answer: A

14. What is the minimum number of private interconnects recommended to build a two-node cluster using Sun Cluster 3.2?

- A.None
- B.Two
- C.Six
- D.One

Answer: B

15. What is the maximum number of private interconnects supported in Sun Cluster 3.2?

- A.Six
- B.Four
- C.One
- D.Two

Answer: A

16. When you plan for a two-node cluster there are several hardware components possible. Some components are absolutely required, some are optional.

Which item identifies the optional component?

- A.boot disks
- B.redundant transport
- C.terminal concentrator for console access
- D.storage connections from each host to each shared storage box

Answer: C

17. What functionality does the global device implementation provide?

- A.A failed device will be transparently replaced by a spare.
- B.All nodes on the public network can access the cluster storage.
- C.Storage connected to any cluster node is available to all cluster nodes using standard device semantics.
- D.Only cluster nodes that are physically connected to a storage device can directly access that device simultaneously.

Answer: C

18. What is the minimum number of nodes required to make a highly available cluster?

- A.One
- B.Two
- C.Four
- D.Eight

Answer: B

19. Which two types of communication can occur on the private interconnect? (Choose two.)

- A.cluster heartbeats
- B.application data transfer
- C.vxconfigd communication
- D.Solaris Volume Manager communication

Answer: AB

20. Every multi-node cluster has to have private interconnect hardware.



Which three items identify how the cluster uses the interconnect? (Choose three.)

- A. The global data access traverses the interconnect.
- B. The load balancer sends inbound requests to other nodes over the interconnect.
- C. The cluster needs the interconnect to decide about its cluster membership.
- D. Every application configured in the cluster gains performance benefits from the interconnect.
- E. If a node loses its public network completely, the network traffic is rerouted over the interconnect.

Answer: ABC

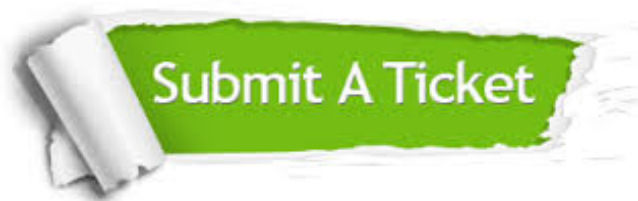
# Trying our product !




- ★ **100%** Guaranteed Success
- ★ **100%** Money Back Guarantee
- ★ **365 Days** Free Update
- ★ **Instant Download** After Purchase
- ★ **24x7** Customer Support
- ★ Average **99.9%** Success Rate
- ★ More than **69,000** Satisfied Customers Worldwide
- ★ Multi-Platform capabilities - **Windows, Mac, Android, iPhone, iPod, iPad, Kindle**

## Need Help

Please provide as much detail as possible so we can best assist you.

To update a previously submitted ticket:



 <b>One Year Free Update</b> Free update is available within One Year after your purchase. After One Year, you will get 50% discounts for updating. And we are proud to boast a 24/7 efficient Customer Support system via Email.	 <b>Money Back Guarantee</b> To ensure that you are spending on quality products, we provide 100% money back guarantee for 30 days from the date of purchase.	 <b>Security &amp; Privacy</b> We respect customer privacy. We use McAfee's security service to provide you with utmost security for your personal information & peace of mind.
---	---	--

## Guarantee & Policy | Privacy & Policy | Terms & Conditions

Any charges made through this site will appear as Global Simulators Limited.

All trademarks are the property of their respective owners.

Copyright © 2004-2014, All Rights Reserved.