

100% Money Back
Guarantee

Vendor:Cisco

Exam Code:351-080

Exam Name:CCIE Data Center Written

Version:Demo

QUESTION 1

In the Cisco FabricPath domain, one switch becomes the root for the multidestination tree. Cisco FabricPath switches compares which three parameters to select the root? (Choose three.)

- A. Root priority
- B. System ID
- C. Bridge ID
- D. Switch ID
- E. Port ID
- F. Subswitch ID

Correct Answer: ABD

QUESTION 2

Refer to the exhibit.

```
port-profile type vethernet VLAN-100
 switchpbrt mode access
 switchpbrt access vlan 100
 no shutdown
 state enabled
```

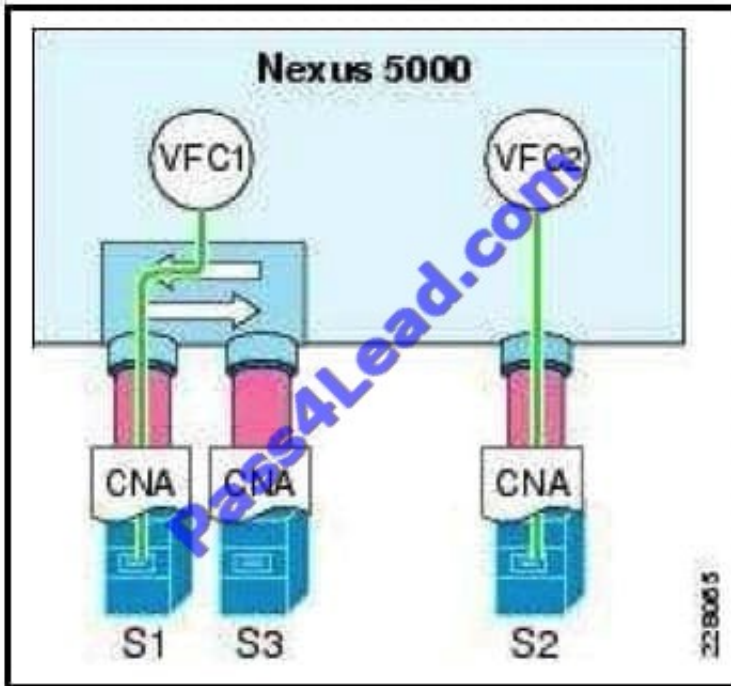
A port profile is created in the VSM, but it is not seen in vCenter and cannot be assigned to a virtual machine. Given the configuration in the exhibit, which VSM command will resolve this issue?

- A. vmware port-group
- B. vmware port-active
- C. profile-active
- D. port-group active
- E. shutdown / no shutdown

Correct Answer: A

QUESTION 3

Refer to the exhibit.



The servers in this network are connected to an A-B SAN design. What is required for hosts to support a high-availability Fibre Channel connection to a storage controller?

- A. Multipath drivers should be installed on all the servers.
- B. Multipath drivers should be installed on the CNA of S1 and S3.
- C. High availability for Fibre Channel is controlled by the storage controller, and there is no need to add or make changes on the server side.
- D. S1 and S3 require that multipath drivers are installed, but S2 does not.
- E. Multipath drivers should be installed on all CNAs of all servers.

Correct Answer: A

QUESTION 4

Enabling jumbo frame support on a Cisco Nexus 5500 Switch can be done through which method?

- A. Changing the default policy map from a default MTU of 1500 to 9216
- B. Using the command system jumbomtu 9216
- C. Using the command interface MTU 9216
- D. Configuring the default Ethernet system class to an MTU of 9216 with a new network QoS policy map

Correct Answer: D

QUESTION 5

Refer to the exhibit.

```
FCOE-Switch# show interface vfc-port-channel 88

vfc-po38 is trunking
Bound interface is port-channel188
Hardware is Ethernet
Port WWN is 25:69:00:26:98:0a:df:00
Admin port mode is F, trunk mode is on
snmp link state traps are enabled
Port mode is TF
Port vsan is 1
Speed is auto
Trunk vsans (admin allowed and active) (88-89)
Trunk vsans (up) (89)
Trunk vsans (isolated) ()
Trunk vsans (initializing) (88)
5 minute average counters not available
Current counters not available
156 fcoe in packets
19380 fcoe in octets
44 fcoe out packets
4848 fcoe out octets
Interface last changed at Fri Apr 15 16:07:50 2011
```

What is the most likely reason that VSAN 88 is initializing?

- A. VSAN 88 is not mapped to a FCoE VLAN.
- B. No host has logged into the VSAN.
- C. The VSAN is shut down.
- D. VSAN 88 is not part of the trunk yet.

Correct Answer: B

QUESTION 6

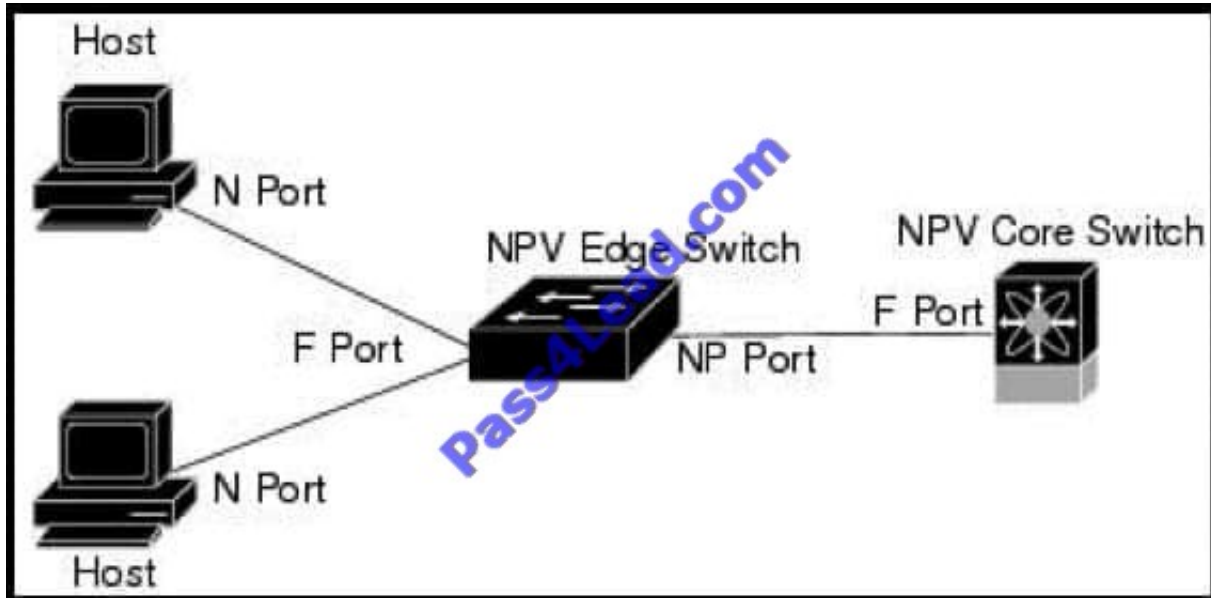
Which four statements about NetFlow configuration on the Cisco Nexus 7000 Series switch are true? (Choose four.)

- A. You must configure a source interface. If you do not configure a source interface, the exporter will remain in a disabled state.
- B. You must configure a valid record name for every flow monitor.
- C. If you add a member to a port channel that is already configured for Layer 2 NetFlow, its NetFlow configuration is removed and the Layer 2 configuration of the port channel is added to it.
- D. If you change a Layer 2 interface to a Layer 3 interface, NetFlow configuration on the interface will automatically switch to Layer 3 mode.
- E. Use v9 export to see the full 32-bit SNMP ifIndex values at the NetFlow connector.
- F. NetFlow is a licensed feature and is available only in the LAN_ENTERPRISE_SERVICES_PKG license.

Correct Answer: ABCE

QUESTION 7

Refer to the exhibit.



Which statement about the interface that is connected to the NPV core switch is true?

- A. The switch that connects to the hosts is identified in the design as an NPV edge switch, and the port that connects to the core is an NP port.
- B. The interface that is connected to the NPV switch will need to be configured as an N- Port.
- C. The interface that is connected to the NPV core will become an FP port.
- D. The link between the NPV core switch and edge will come up as an E port.

Correct Answer: A

QUESTION 8

Which three statements are possible causes for the "fltAdaptorHostIfLink-down" fault in UCS Manager? (Choose three.)

- A. The fabric interconnect is in the end-host mode, and all uplink ports have failed.
- B. The server port to which the adapter is pinned has failed.
- C. A transient error has caused the link to fail.
- D. The fabric interconnect is in the switch mode, and all uplink ports have failed.
- E. The link for a network-facing host interface is missing.

Correct Answer: ABC

QUESTION 9

Which Ethernet field is used to differentiate between the FCoE frame and the FIP frame?

- A. Ethernet FCS
- B. Source address
- C. Destination address
- D. EtherType
- E. Protocol type

Correct Answer: D

QUESTION 10

Which three flow-control port states lead to enabled link flow control? (Choose three.)

- A. Receive port: Enabled, Transmit port: Enabled
- B. Receive port: Enabled, Transmit port: Desired
- C. Receive port: Enabled, Transmit port: Disabled
- D. Receive port: Disabled, Transmit port: Desired
- E. Receive port: Desired, Transmit port: Desired

Correct Answer: ABE

QUESTION 11

Drag and drop the vPC features.

Select and Place:

vPC Auto-Recovery	brings up the vPC links even if the peer is down.
ARP Synchronization	allows a vPC switch to be the active gateway for packets addressed for its vPC peer.
vPC Peer-Gateway	makes a vPC pair appear to have the same bridge ID.
vPC Peer-Switch	improves convergence times for vPC flows.

www.Pass4Lead.com

Correct Answer:

	vPC Auto-Recovery
	vPC Peer-Gateway
	vPC Peer-Switch
	ARP Synchronization

www.Pass4Lead.com

QUESTION 12

The persistent storage service (PSS) is used by which function?

- A. storage of log files across reloads of the system
- B. storage of license files in the backplane EEPROM
- C. storage of the process-specific state for stateful process recovery
- D. storage of core dump files from crashed processes

Correct Answer: C

To Read the [Whole Q&As](#), please purchase the [Complete Version](#) from [Our website](#).

Try our product !

100% Guaranteed Success

100% Money Back Guarantee

365 Days Free Update

Instant Download After Purchase

24x7 Customer Support

Average 99.9% Success Rate

More than 800,000 Satisfied Customers Worldwide

Multi-Platform capabilities - [Windows](#), [Mac](#), [Android](#), [iPhone](#), [iPod](#), [iPad](#), [Kindle](#)

Need Help

Please provide as much detail as possible so we can best assist you.

To update a previously submitted ticket:



 <p>One Year Free Update Free update is available within One Year after your purchase. After One Year, you will get 50% discounts for updating. And we are proud to boast a 24/7 efficient Customer Support system via Email.</p>	 <p>Money Back Guarantee To ensure that you are spending on quality products, we provide 100% money back guarantee for 30 days from the date of purchase.</p>	 <p>Security & Privacy We respect customer privacy. We use McAfee's security service to provide you with utmost security for your personal information & peace of mind.</p>
---	---	--

Any charges made through this site will appear as Global Simulators Limited.

All trademarks are the property of their respective owners.