

100% Money Back
Guarantee

Vendor:Cisco

Exam Code:642-999

Exam Name:Implementing Cisco Data Center Unified
Computing

Version:Demo

QUESTION 1

Which three options are valid system classes for QoS in a Cisco UCS blade system? (Choose three.)

- A. platinum
- B. silver
- C. best effort
- D. voice
- E. high-priority
- F. FCoE
- G. drop eligible

Correct Answer: ABC

QUESTION 2

Refer to the exhibit.

```
FI-A# scope org
FI-A /org# scope boot-policy Testing
FI-A /org/boot-policy # create san
FI-A /org/boot-policy/san* # set order 1
FI-A /org/boot-policy/san* # create san-image primary
FI-A /org/boot-policy/san/san-image* # set vhba vHBA3
FI-A /org/boot-policy/san/san-image* # create path primary
FI-A /org/boot-policy/san/san-image/path* # set lun 0
FI-A /org/boot-policy/san/san-image/path* # commit-buffer
FI-A /org/boot-policy/san/san-image/path #
```

You are configuring a Cisco UCS Fabric Interconnect. You associate a blade server to a service profile that has the Testing boot policy. Which statement describes the result of the configuration?

- A. The iSCSI boot was created for the LAN boot policy.
- B. The blade server fails to boot due to a missing configuration line of set order 0.
- C. The blade server first tries to boot by using vHBA3 across the SAN network.
- D. The blade server first tries to boot from the local storage, and if this fails, it boots from vHBA3.

Correct Answer: C

Reference:http://www.cisco.com/c/en/us/td/docs/unified_computing/ucs/sw/cli/config/guide/2/b_UCSM_CLI_Configuration_Guide_2_2/configuring_server_boot.pdf

QUESTION 3

Which policy would you change to form a port channel between a Cisco UCS 6248 and a Cisco UCS 2208?

- A. link aggregation policy
- B. chassis discovery policy
- C. IOM connection policy
- D. link discovery policy

Correct Answer: B

QUESTION 4

In which situation would you be required to change a Cisco UCS system from end-host mode to switching mode?

- A. Design requirements call for the use of fabric failover.
- B. Fabric interconnect is connecting to disjoint Layer 2 networks upstream.
- C. HSRP routers are directly connected to the fabric interconnect.
- D. Upstream Cisco Nexus 5000 is configured for vPC.

Correct Answer: C

QUESTION 5

What is a true statement concerning automatic Fibre Channel pinning on a Cisco Unified Computing System 62XX Fabric Interconnect?

- A. By default, uplink Fibre Channel interfaces are configured for VSAN trunking.
- B. Using NPV, each downstream server will be pinned to an uplink port that is based on a PIN group.
- C. The Fibre Channel pinning process is implemented differently than end-host MAC address pinning.
- D. With VSAN trunking, the automatic pinning of server traffic to Fibre Channel uplink ports will be based on the server WWN.

Correct Answer: D

QUESTION 6

Instructions

Open the windows by clicking on the minimized title at the bottom of the viewing area. Windows can be minimized by clicking on the [X], repositioned by dragging the title bar, and resized by using the handle at the lower right corner to customize the viewing area.

If you are required to access the devices to complete this scenario, the mouse cursor will use a hand symbol when moved over device icons. Clicking the icon will open a device terminal so you can interact with the hardware.

Open the Questions window and begin by clicking a question number. When you have completed answering all questions, click Done to continue.

Scenario

Use your UCS knowledge on Adapter errors using the cli, answer the questions associated with the configurations.

```
UCS-A# scope server 1/5
UCS-A /chassis/server # show adapter detail

Adapter:
  Id: 2
  Product Name: Cisco UCS 82598KR-CI
  PID: N20-AI0002
  VID: V01
  Vendor: Cisco Systems Inc
  Serial: QCR132300CC
  Revision: 0
  Mfg Date: 2009-06-13T00:00:00.000
  Slot: N/A
  Overall Status: Operable
  Conn Path: A,F
  Conn Status: Unknown
  Managing Instance: B
  Product Description: PCI Express Dual Port 10 Gigabit Ethernet Server Adapter
UCS-A /chassis/server #
```

Hot Area:

Questions

1 We are working on which server?

2 1

3 2

4 3

5 4

6 5

Correct Answer:

Questions

1 We are working on which server?

2 1

3 2

4 3

5 4

6 5

QUESTION 7

Which three items represent some of the components to implement Cisco VM-FEX for Cisco Unified Computing System Manager B-Series blades? (Choose three.)

- A. Cisco VSM VM
- B. VEM installed on the VMware vCenter server
- C. VEM in the VMware ESX or ESXi host
- D. Cisco Unified Computing System Manager version 1.2 or higher
- E. VMware vCenter server
- F. Fibre Channel VMFS volume

Correct Answer: CDE

QUESTION 8

Which backup option must be performed from the Cisco UCS Manager to allow for a system restore?

- A. database backup
- B. Logical configuration
- C. System configuration
- D. Full state
- E. All configuration

Correct Answer: D

Reference:

http://www.cisco.com/en/US/docs/unified_computing/ucs/sw/gui/config/guide/141/UCSM_G UI_Co nfiguration_Guide_141_chapter43.html

QUESTION 9

Which two options are valid server pool policy qualifications? (Choose two.)

- A. server model
- B. description
- C. user label
- D. power group

Correct Answer: AD

QUESTION 10**Scenario**

In this scenario, you will refer to screenshots about Cisco UCS B-Series servers and UCS Manager.

Instructions

To access the multiple-choice questions, click on the numbered boxes on the left of the top panel.

There are four multiple-choice questions with this task.

Be sure to answer all four questions before selecting the Next button.

Legend:

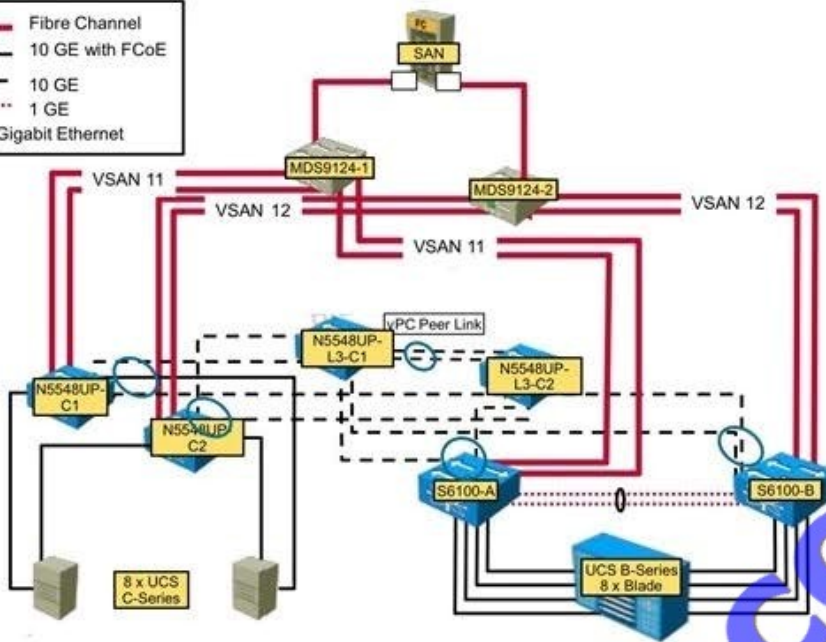
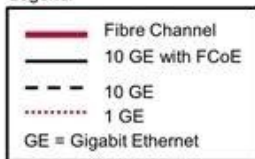


Exhibit2

```
interface Vethernet749
  description server 1/1, VNIC vNIC0
  switchport mode trunk
  untagged cos 4
  no pinning server sticky
  pinning server pinning-failure link-down
```

Exhibit4

- All
- Faults, Events and Audit Log
- User Management
- Key Management
- Communication Management
- Stats Management
- Time Zone Management
- Capability Catalog
- Management Extension
- License Management

Refer to the Exhibit 4 screenshot of the UCS Manager. Which item can only be configured in the Storage Cloud?

- A. iQN Pools
- B. Storage FC Clinks
- C. Port Channels
- D. VSANs
- E. Zoning

Correct Answer: D

Reference: <http://www.cisco.com/c/en/us/support/docs/servers-unified-computing/ucsinfrastructure-ucs-manager-software/116082-config-ucs-das-00.html>

QUESTION 11

Which two settings are required when utilizing DirectPath I/O? (Choose two.)

- A. CPU pinning
- B. full memory reservation
- C. Set port profile performance to "high".
- D. vCPU pinning
- E. VM queue modification
- F. adapter profile update
- G. Install DirectPath VIB on host.
- H. Enable VMQ with the "enable-netadaptervmq" cmdlet.

Correct Answer: BC

QUESTION 12

Which option does UEFI secure boot provide?

- A. checksum verification of the EFI shell
- B. certificate verification of the EFI shell
- C. checksum verification of the OS
- D. certificate verification of the OS

Correct Answer: D

To Read the [Whole Q&As](#), please purchase the [Complete Version](#) from [Our website](#).

Try our product !

100% Guaranteed Success

100% Money Back Guarantee

365 Days Free Update

Instant Download After Purchase

24x7 Customer Support

Average 99.9% Success Rate

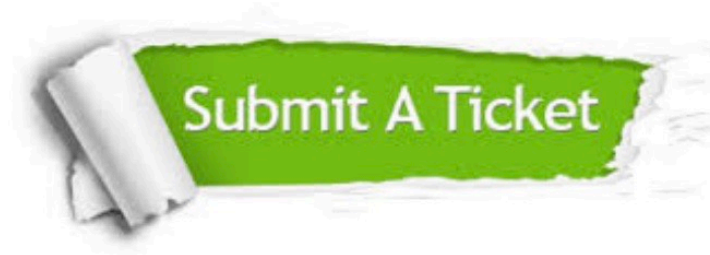
More than 800,000 Satisfied Customers Worldwide

Multi-Platform capabilities - [Windows](#), [Mac](#), [Android](#), [iPhone](#), [iPod](#), [iPad](#), [Kindle](#)

Need Help

Please provide as much detail as possible so we can best assist you.

To update a previously submitted ticket:



 <p>One Year Free Update Free update is available within One Year after your purchase. After One Year, you will get 50% discounts for updating. And we are proud to boast a 24/7 efficient Customer Support system via Email.</p>	 <p>Money Back Guarantee To ensure that you are spending on quality products, we provide 100% money back guarantee for 30 days from the date of purchase.</p>	 <p>Security & Privacy We respect customer privacy. We use McAfee's security service to provide you with utmost security for your personal information & peace of mind.</p>
---	---	--

Any charges made through this site will appear as Global Simulators Limited.

All trademarks are the property of their respective owners.