

100% Money Back
Guarantee

Vendor:ISTQB

Exam Code:ATM

Exam Name:Advanced Test Manager

Version:Demo

QUESTION 1

You can count on well-written requirements, but you can't count on an adequate contribution of the stakeholders to the quality risk analysis. You have to mitigate the insufficient contribution of the stakeholders because the risk-based testing approach shall minimize the product risks. Your test team has one expert tester in security testing.

Which of the following test activities would you expect to be the less important in this context?

K4 3 credits

- A. Extract from the defect tracking system of the previous project all the security defects and failures, and classify them to support design and execution of specific tests
- B. Automate all functional and non-functional system tests
- C. Apply systematic and exploratory testing for integration and system test
- D. Perform exploratory testing sessions with adequate charters covering security aspects

Correct Answer: B

QUESTION 2

You are the Test Manager for a project to develop a client-server application that allows wine vendors to order custom-assorted packages of wines of several winemakers to sell special packages in their wine shops.

You decide to apply a blended risk-based and reactive testing strategy. Below the exit criteria for the system testing. EXCR1- Each "critical" quality risk item must be covered by at least one test condition EXCR2- Each "critical" requirement must be covered by at least one test condition The following are the "critical" requirements of the application:

REQ-SEL-1. The application shall allow the user to order only one package at a time REQ-SEL-2. The application shall allow the user to select between four different packages (2-bottles, 6bottles, 12-bottles, 15-bottles)

REQ-SEL-3. The application shall allow the user to order a package containing at least 1 bottle and no more bottles than the package size. No error messages shall be displayed if the user selects a valid number of bottles (at least 1 bottle and no more than the package size)

REQ-SEL-4. The application shall display an error message "Invalid number of bottles" if an invalid number

of bottles is selected by the user (zero bottles or a number higher than the package size) REQ-PAY-1. The application shall allow the user to pay with the three accepted credit cards (Visa, MasterCard, American Express)

REQ-PAY-2. The application shall display an error message "Invalid credit card" if invalid credit card data are given by the user The following is the unique "critical" quality risk item that has been identified:

CR-RSK-1. The GUI of the application might accept non-integer values for the input field designed to get the number of bottles from the user Test analysis for system testing has just begun and the following test conditions have been identified. TC-SEL-2. Test the selection of the package sizes

TC-SEL-4. Test wrong numbers of bottles for an order TC-CR-RSK-1. Test the accepted values from the input field designed to get the number of bottles from the user

What is the MINIMUM number of test conditions that must be added to fulfill both the EXCR1 and EXCR2 exit criteria?
K3 2 credits

- A. 4
- B. 3
- C. 2
- D. 1

Correct Answer: A

QUESTION 3

Which of the following factors could negatively influence a review? K2 1 credit

- A. Include people with the adequate level of knowledge, both technical and procedural
- B. Include people who are detail-oriented and scrupulous at finding issues
- C. Include as many people as possible in order to have more viewpoints about possible problems on the item under review
- D. Include people able to contribute to a clear, thoughtful, constructive and objective discussion

Correct Answer: C

QUESTION 4

Which of the following would you expect to be most likely an example of a demotivating factor for testers? K2 1 credit

- A. The management asks the testers to be kept informed about the intensity, quality and results of testing
- B. The testers' recommendations to improve the system or its testability are adopted by the development team
- C. The same regressions tests are manually executed by the same testers, for every product release, without regression test tools
- D. The testers are assessed on whether and how often they detect important and critical failures
- E. Test quality is measured by counting the number of customer/user reported problems.

Correct Answer: CE

QUESTION 5

Consider the following test strategies:

- I. Consultative test strategy

II. Reactive test strategy

III. Analytical test strategy

IV. Process-compliant test strategy

Consider also the following examples of test activities:

1.

Prioritize the test cases, based on the results of a FMEA analysis, to ensure early coverage of the most important areas and discovery of the most important defects during test execution

2.

Execute usability testing driven by the guidance of a sample of users (external to the test team)

3.

Perform exploratory testing sessions throughout the system test phase

4.

On an Agile project, execute tests that cover the test conditions identified for each user story of a feature planned for an iteration

Which of the following correctly matches each test strategy with an appropriate example? K2 1 credit

A. I-2; II-3; III-4; IV-1

B. I-3; II-2; III-1; IV-4

C. I-1; II-2; III-3; IV-4

D. I-2; II-3; III-1; IV-4

Correct Answer: D

QUESTION 6

During the system testing phase a tester from your test team observes a failure in the system under test and he/she decides to create an incident report. The incident report is currently in a "new" state, indicating it needs to be investigated.

Which THREE of the following information items can't yet be present in the incident report?

K3 2 credits (2 credits out of 3 credits correct, 1 credit point)

A. The type of defect that caused the failure

B. The actual and the expected result highlighting the failure

C. The lifecycle phase in which the defect has been introduced

D. What really caused the failure (actual cause)

E. Steps to reproduce the failure, including screenshots, database dumps and logs where applicable

Correct Answer: ACD

QUESTION 7

You are working on a project to develop an authentication system for an e-commerce website. This system provides two features: Registration and authentication. Two different development teams develop these two features.

There is a high likelihood that the delivery of the authentication feature to the test team will be three weeks later. To complete the registration the user must provide the following registration inputs: Name, surname, birth date, fiscal code and he/she can select a username and a password.

A registered user can be a special user or a normal user. To be identified as a special user, he/she must also provide, during the registration process, a voucher possibly received from the IT department.

Access is granted only if a user is registered and the password is correct: In all other cases access is denied. If the registered user is a special user and the password is wrong, a special warning is shown on the system console.

You are currently performing a quality risk analysis using FMEA.

Based only on the given information, which of the following is NOT a product risk that could be identified during the quality risk analysis?

K4 3 credits

- A. The late delivery of the authentication feature to the test team causes delays in the start of test execution and this could result in a shorter test period
- B. The authentication system denies access for a special user with a wrong password, but doesn't display a special warning on the system console
- C. The authentication system grants access to a normal user with a wrong password
- D. The authentication system grants access to a special user with a wrong password

Correct Answer: A

QUESTION 8

Which of the following statements best describes an appropriate approach for managing exploratory testing?

Number of correct responses: 1

K2 1 credit

- A. Define very detailed mission statements, which allow testing work to be broken into sessions of up to 10 minutes duration in which testing is guided by these mission statements
- B. Break the testing work in 30 to 120 minutes sessions and use properly defined mission statements consisting of two or three sentences to guide testing during these sessions

C. Define very generic charters to drive exploratory testing sessions of 2 days where testers are completely free to decide what to test

D. Exploratory testing should not be managed because such testing is inherently unmanageable and not measurable

Correct Answer: B

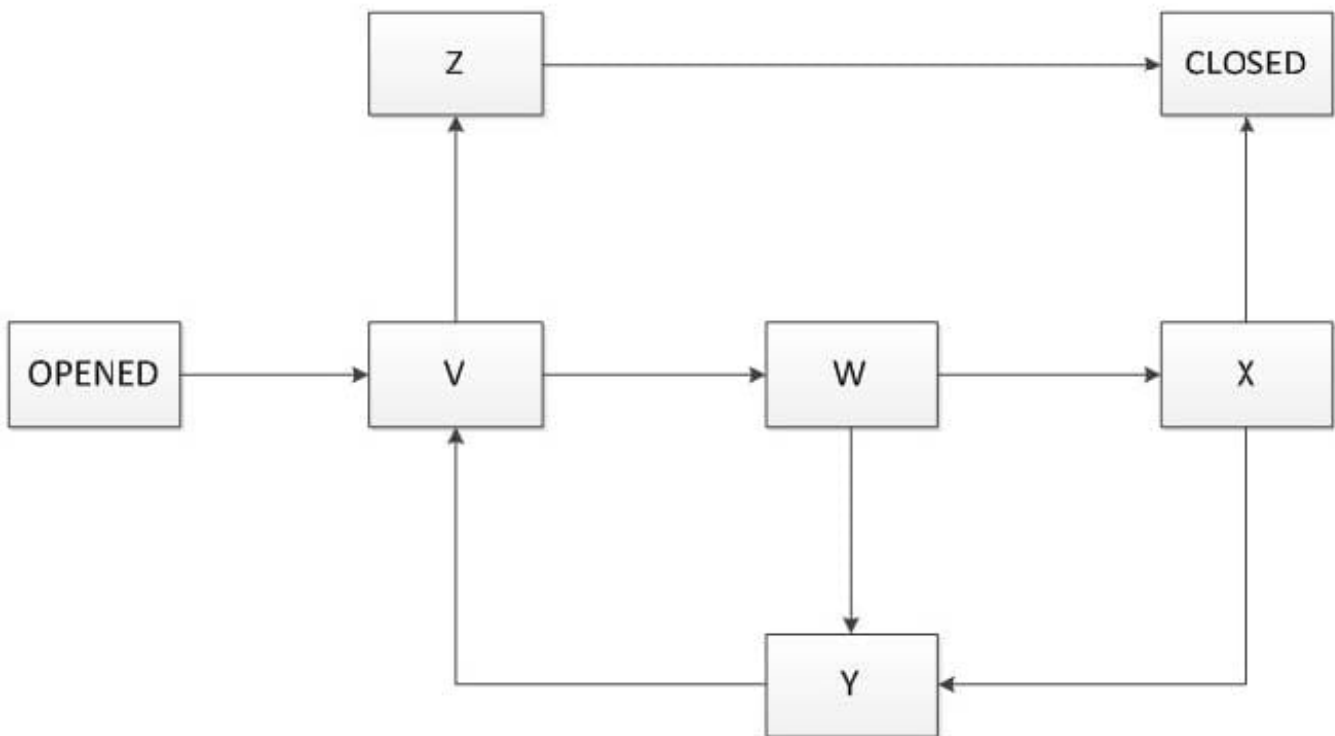
QUESTION 9

Assume you are working on a defect management process to be used by a software organization to track the current status of the defects reports for several projects.

When a defect is found for investigation a defect report is created in "Opened" state that is the unique initial state. The defect report status has also a unique finale state that is the "Closed" state.

The following state transition diagram describes the states of this defect management process:

Where only the initial ("Opened") and final ("Closed") states are indicated while the remaining states (V, W, X, Y, Z) have yet to be named.



Which of the following assignments would you expect to best complete the defect management process? K3 2 credits

- A. V=Rejected , W=Corrected , X=Validated, Y=Re-Opened, Z=Assigned
- B. V=Assigned, W=Validated , X=Corrected, Y=Re-Opened, Z=Rejected
- C. V=Assigned, W=Corrected , X=Validated, Y=Re-Opened, Z=Rejected
- D. V= Corrected, W=Assigned, X=Validated, Y=Corrected, Z=Rejected

Correct Answer: C

QUESTION 10

Which of the following statements, about the test reporting activities for a project adopting an iterative lifecycle model with very short iterations (e.g. two weeks iterations), is correct?

K2 1 credit

- A. Test reporting activities can't be influenced by the use of an iterative lifecycle model with short iterations
- B. Test reporting activities are not important for projects adopting an iterative lifecycle model with short iterations
- C. Test reporting activities are less important for projects adopting an iterative life cycle model with short iterations. They should be performed at the end of the last iteration
- D. Test reporting activities are still important with an iterative lifecycle. The reports can be used to conduct post-iteration review sessions before starting with the next iteration

Correct Answer: D

QUESTION 11

Assume that you are the Test Manager for a small insurance application development project.

You have decided to adopt a risk-based testing strategy: 5 product risks (R1, R2, R3, R4, R5) have been identified and their levels of risk have been assessed. 10 test cases (T1, ..., T10) have been designed to cover all the product risks.

The following table shows the risk level and the test cases associated to the identified product risks (higher risk level means higher risk):

You are not confident with the assessment of the risk level and you suspect that it will be possible to find high-priority bugs in low-risk areas.

Product risk	Risk level	Test Cases
R1	25	T1, T2
R2	12	T3, T4
R3	10	T5, T6
R4	8	T7, T8
R5	2	T9, T10

Furthermore the period for test execution is very short. Your goal is to test all the product risks in a risk-based way, while assuring that each product risk gets at least some amount of testing.

Which of the following answers describes the best test execution schedule in this scenario?

K3 2 credits

- A. T1, T2, T3, T4, T5, T6, T7, T8, T9, T10
- B. T1, T3, T5, T7, T9, T2, T4, T6, T8, T10
- C. T10, T9, T8, T7, T6, T5, T4, T3, T2, T1
- D. T10, T8, T6, T4, T2, T9, T7, T5, T3, T1

Correct Answer: B

QUESTION 12

Which of the following statements about the TMMi test process improvement model is true? K2 1 credit

- A. In TMMi all the process areas at lower levels must be 75% complete by achieving specific and generic goals in order to claim the higher level
- B. TMMi provides an approach for test process improvement such as the IDEAL (Initiating, Diagnosing, Establishing, Acting and Learning) model
- C. TMMi has a staged architecture for process improvement with seven maturity levels
- D. At TMMi level 1 testing is chaotic without a defined process, and it is often seen as the same as debugging

Correct Answer: D