

100% Money Back
Guarantee

Vendor:IBM

Exam Code:C4040-221

Exam Name:AIX 7 Administration

Version:Demo

QUESTION 1

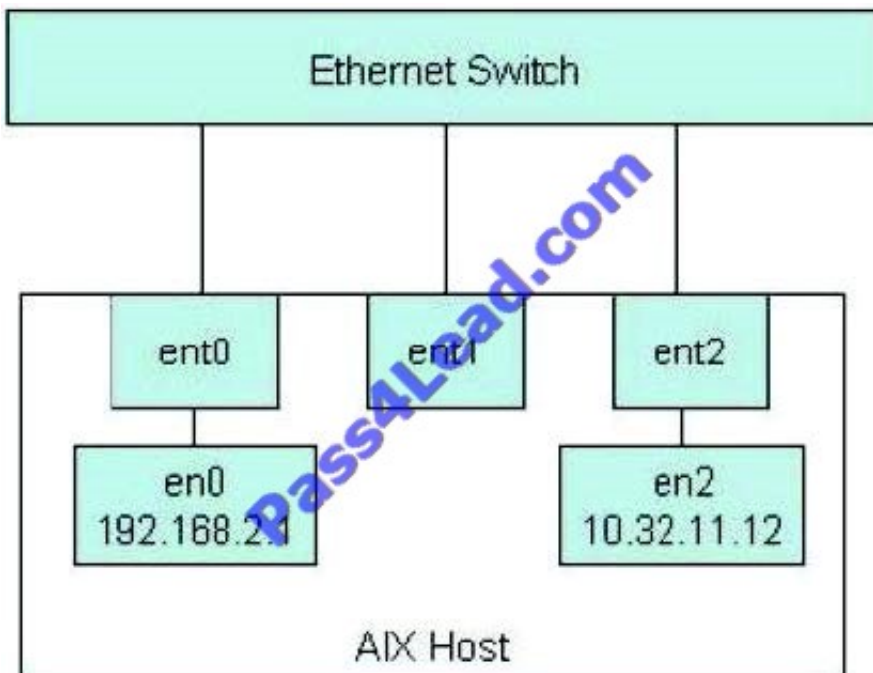
What speed and duplex attributes should be configured on a virtual Ethernet adapter?

- A. 1000/Full
- B. Auto/Auto
- C. 10000/Full
- D. Default/Default

Correct Answer: C

QUESTION 2

In the following figure, what TWO things must be done before an EtherChannel can be created from the ent0 and ent1 adapters?



- A. The ent0 and ent1 adapters must be connected to different switches to provide both additional bandwidth and adequate redundancy in the EtherChannel that is created.
- B. EtherChannel support capability must be verified for the Ethernet switch.
- C. The IP configuration must be removed from en0.
- D. The AIX host must be completely disconnected from the network,
- E. The en1 interface must be configured with IP information.

Correct Answer: BC

QUESTION 3

The system administrator ran the following command to backup his image repository, but nothing was backed up to the file. Why? `find /media -print | backup -l-f-p /dev/rmt0`

- A. The block size was not specified.
- B. The files in the directory are larger than 2GB.
- C. The tape was not positioned the beginning of the tape.
- D. The tape was not formatted.

Correct Answer: B

QUESTION 4

A NIM server is used to support different AIX Technology Levels among several clients. Each technology level is maintained in a separate `lpp_source`. Which command(s) will display what AIX fixes are available for several TL levels supported by a NIM server?

- A. `niminv-o fixget-a targets=lpp_source1,lpp_source2`
- B. `nim_update_check-lsumalpp_source1 nim_update_check-lsumalpp_source2`
- C. `nim-o cust-a fixes=update_all lpp_source1lpp_source2`
- D. `nim -o lppmgr-a lppmgr_flags="lsb" lpp_source1, lpp_source2`

Correct Answer: A

QUESTION 5

How can an administrator determine if DLPAR operations can be performed for a specific LPAR?

- A. Run the `lsdlpar -partition` command on the local HMC.
- B. Run the `lsrsclBM.MCP` command on the LPAR.
- C. Run the `lparstat -dlpar` command on the LPAR.
- D. Run the `rmcctrl -d` command on the local HMC.

Correct Answer: A

QUESTION 6

A POWER5 520 system is being cloned onto a Power 780. The source system is on internal disks, and the vg01 volume group is mirrored. After installing AIX, which sequence of actions will recreate the vg01 volume group and restore data on the new system?

- A. Have all the applications shut down. Create a backup of each filesystem to an NFS mount using the backup command. Restore the filesystem backups with the restorevgfiles command.
- B. Create a backup onto an NFS server using the mksysb command and referencing the correct data volume group. Restore the backup of vg01 with the smit fast path smit restrmksysb.
- C. Have all applications shut down. Use the savevg command to create a backup of the data volume group to an NFS mount. Restore the savevg on the clone system with the restvg command.
- D. Shut down all application running from the data volume group. Run the cpio command to write the file to a local NFS server. Restore command with the backup to recreate vg01.

Correct Answer: C

QUESTION 7

An administrator is removing a failed disk from a mirrored rootvg volume group. A message directed the administrator to run the chpv -c command. The administrator ran this command against the last available disk in rootvg.

What is the result of performing this action?

- A. The failed drive is removed from the bootlist.
- B. The boot record was removed from the system.
- C. The ipdevice was re-linked to the available disk device name.
- D. The boot record was updated with the available disk information.

Correct Answer: B

QUESTION 8

When creating a new user id, an administrator encounters the following error message:

```
aixsystem:/home/root# mkuser newuserid
```

```
3004-694 Error adding "newuserid": Name is too long.
```

Running which of the following commands will cause the mkuser newuserid command to complete successfully?

- A. `chdev -l sys0 -a max_logname=10;shutdown -Fr now`
- B. `chsec -f /etc/security/login.cfg -s default -a max_logname=10`
- C. `chsec -f /etc/security/login.cfg -s default -a pwd_algorithm=sha512`
- D. `chsec -f /usr/lib/security/mkuser.default -s default -a loginlength=10`

A. B. C. D.

Correct Answer: A

QUESTION 9

Which command displays path and state information for a Multipath I/O (MPIO) capable device?

- A. `lspath`
- B. `lsvpcfg`
- C. `lsdev`
- D. `lspv`

Correct Answer: A

QUESTION 10

What is the purpose of the certify operation against a local disk drive?

- A. Formats the drive
- B. Erases the drive
- C. Verifies sector integrity
- D. Establishes device quorum

Correct Answer: B

QUESTION 11

Why would the `\\'bffcreeate -d /dev/cd0 -t/tmp/images all\\'` command be run?

- A. To create installation or update images of all software packages from media in /dev/cd0

B. To install all software packages from the media in /dev/cd0 that have prerequisites met on the system or in /tmp/images.

C. To make a file in /tmp/images that lists all of the software packages on media in /dev/cd0

D. To make a copy of all software in /tmp/images and store onto the writable media in /dev/cd0

Correct Answer: A

QUESTION 12

Based on the following topas output, what is the most cause for concern?

```
Topas Monitor for host:
Wed Mar 13 13:25:20 2013 Interval: 2
CPU User% Kern% Wait% Idle% Phyc Entc
ALL 84.1 15.2 0.2 0.5 8.71 435.3
Network KBPS I-Pack O-Pack KB-In KB-Out
Total 54.2K 12.3K 34.9K 6505.1 47.8K
Disk Busy% KBPS TPS KB-Read KB-Writ
Total 36.5 85.3K 1297.0 32.4K 2942.3
FileSystem KBPS TPS KB-Read KB-Writ
Total 106.4K 4.6K 103.5K 2.8K
Name PID CPU% PgSp Owner
java 28377216 35.3 1365.0 root
db2sysc 63766734 19.3 137.2 jazza01
java 22216794 8.5 998.2 root
db2sysc 17301742 7.5 425.3 jazza03
dsmc 65601560 4.4 22.2 root
db2sysc 58392796 1.0 285.0 jazza06
java 38666280 0.7 1026.2 root
java 27459688 0.5 674.8 root
EVENTS/QUEUES FILE/TTY
Cswitch 15319 Readch 103.3M
Syscall 66002 Writech 2860.5K
Reads 4662 Rawin 0
Writes 468 Ttyout 427
Forks 43 Igets 0
Execs 43 Namei 6779
Funqueue 14.6 Dirblk 0
Waitqueue 2.0
MEMORY
PAGING Real,MB 131072
Faults 12838 % Comp 85
Steals 3026 % Noncomp 14
PgspIn 0 % Client 14
PgspOut 0
PageIn 10762 PAGING SPACE
PageOut 443 Size,MB 16384
Sios 11205 % Used 8
% Free 92
NFS (calls/sec)
SerV2 0 WPAR Activ
Cliv2 0 WPAR Total
SerV3 0 Press: "h"-help
Cliv3 0 "q"-quit
```

A. I/O Wait

B. Paging activity

C. CPU allocation

D. Storage write latency

Correct Answer: C

To Read the [Whole Q&As](#), please purchase the [Complete Version](#) from [Our website](#).

Try our product !

100% Guaranteed Success

100% Money Back Guarantee

365 Days Free Update

Instant Download After Purchase

24x7 Customer Support

Average **99.9%** Success Rate

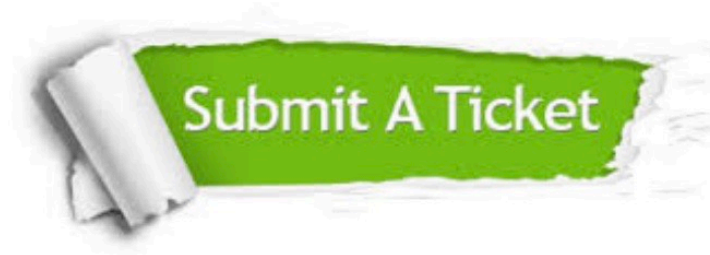
More than **800,000** Satisfied Customers Worldwide

Multi-Platform capabilities - **Windows, Mac, Android, iPhone, iPod, iPad, Kindle**

Need Help

Please provide as much detail as possible so we can best assist you.

To update a previously submitted ticket:



 <p>One Year Free Update Free update is available within One Year after your purchase. After One Year, you will get 50% discounts for updating. And we are proud to boast a 24/7 efficient Customer Support system via Email.</p>	 <p>Money Back Guarantee To ensure that you are spending on quality products, we provide 100% money back guarantee for 30 days from the date of purchase.</p>	 <p>Security & Privacy We respect customer privacy. We use McAfee's security service to provide you with utmost security for your personal information & peace of mind.</p>
---------------------------------------------------------------------------------------------------------------------------------------------------------------------------------------------------------------------------------------------------------------------------------------------------------------------------------	-------------------------------------------------------------------------------------------------------------------------------------------------------------------------------------------------------------------------------------------------------------	------------------------------------------------------------------------------------------------------------------------------------------------------------------------------------------------------------------------------------------------------------------------------------

Any charges made through this site will appear as Global Simulators Limited.

All trademarks are the property of their respective owners.