

100% Money Back
Guarantee

Vendor: EMC

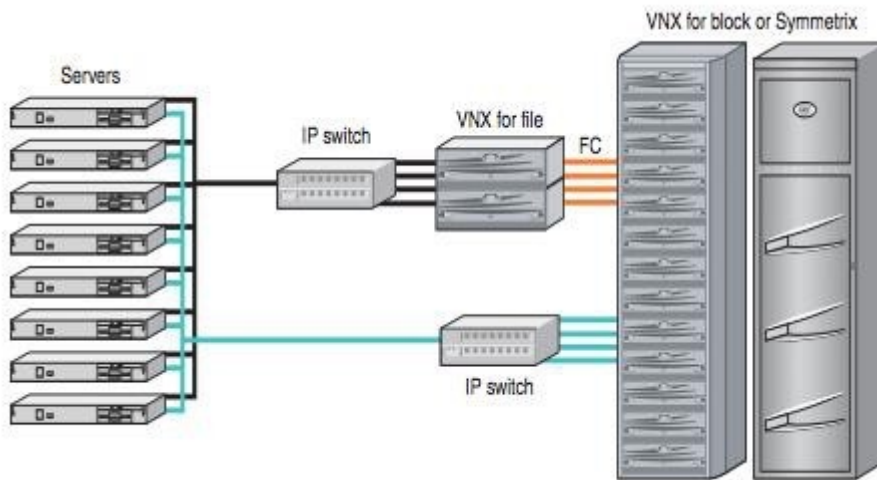
Exam Code: E20-324

Exam Name: VNX Solutions Design Exam for
Technology Architects

Version: Demo

QUESTION 1

Refer to the exhibit.



What type of VNX MPFS configuration is illustrated with this topology?

- A. VNX gateway with FC
- B. VNX with iSCSI/FC
- C. VNX with iSCSI/FCoE
- D. VNX gateway with MPFSi

Correct Answer: D

Explanation

Explanation/Reference:

QUESTION 2

The majority of your customer's servers have highly utilized database applications that require predictable performance.

What type of storage do you recommend?

- A. RAID Groups with traditional LUNs
- B. Storage groups with thick LUNs
- C. Pool with traditional LUNs
- D. RAID Groups with thin LUNs

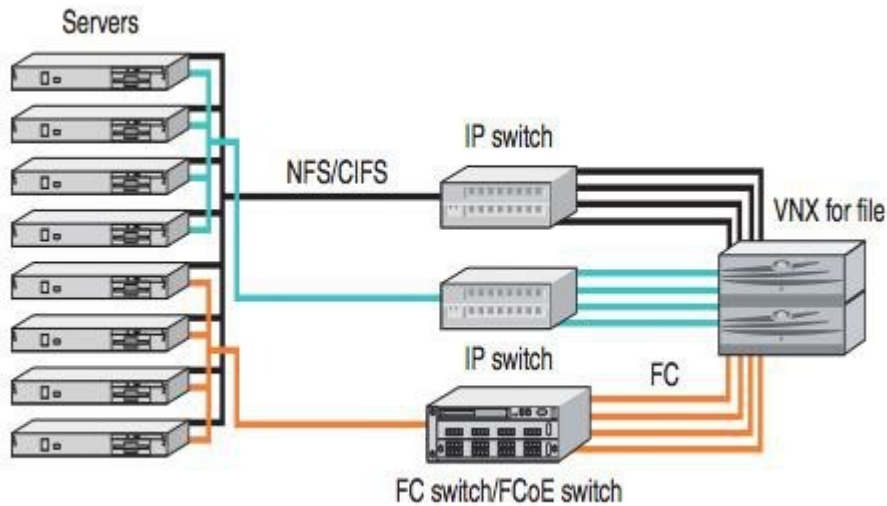
Correct Answer: A

Explanation

Explanation/Reference:

QUESTION 3

Refer to the exhibit.



What type of VNX configuration is illustrated with this topology?

- A. VNX MPFS with iSCSI/FC
- B. VNX MPFS with FC/FCoE
- C. VNX gateway with iSCSI/FC
- D. VNX gateway with FC

Correct Answer: A
Explanation

Explanation/Reference:

QUESTION 4

While gathering performance data during peak workloads, which type of collection method is best suited?

- A. Larger periods of data collection over shorter intervals
- B. Smaller periods of data collection over shorter intervals
- C. Smaller periods of data collection over larger intervals
- D. Larger periods of data collection over larger intervals

Correct Answer: C
Explanation

Explanation/Reference:

QUESTION 5

You are gathering data from a customer environment. You have to process a number of configuration reports.

What tool provides a simple method of processing the data gathering configuration?

- A. Unisphere Analyzer
- B. Collect Support Materials
- C. E-Lab Advisor
- D. CLARiiON Configuration Builder

Correct Answer: C
Explanation

Explanation/Reference:

QUESTION 6

When interviewing customer personnel, you learn of two sets of requirements:

- The technical team has a specific set of requirements that they have to meet.
- The manager has a financial requirement that has to be met.

As you begin to design, it becomes clear that, in order to meet the technical goal, the financial requirement will be exceeded. What should you do?

- A. Let both teams know of the constraints and see if there can be a mutual resolution.
- B. Since this is a technical project you should design to the technical team requirements.
- C. Because the manager is paying for the equipment, limit the design to fit into the financial constraints.
- D. Design to the technical requirement and then take enough storage out to meet the financial goal.

Correct Answer: A

Explanation

Explanation/Reference:

QUESTION 7

During your design analysis you have gathered current storage configuration data and matched storage volumes with server data. You have discovered some inconsistencies with the collected data.

What should the next step be?

- A. Resolve any inconsistencies with the customer according to best practices.
- B. Let the implementation engineer resolve the inconsistencies.
- C. Note the inconsistencies and forward a redesign to the implementation engineer.
- D. Resolve the inconsistencies yourself according to best practices.

Correct Answer: A

Explanation

Explanation/Reference:

QUESTION 8

Which protocols are the best solution for Grid Computing and High Performance Computing environments?

- A. iSCSI, FCoE
- B. pNFS, MPFS
- C. CIFS, NFS
- D. FTP, SMB2

Correct Answer: B

Explanation

Explanation/Reference:

QUESTION 9

Which RecoverPoint/SE data protection methodology enables block protection as well as a file DR solution?

- A. RecoverPoint/SE CRR
- B. RecoverPoint/SE CLR

- C. RecoverPointt/SE CDP
- D. RecoverPoint/SE CDP and CRR

Correct Answer: A

Explanation

Explanation/Reference:

QUESTION 10

When documenting the customer environment prior to a storage refresh, you discover that the customer has an issue their backups do not complete every job. How should you proceed?

- A. Have the customer resolve the issue before continuing.
- B. Note the issue in the Statement of Work and continue with planning.
- C. Open a case for the backup issue and resolve it yourself.
- D. No action required: SOW does not include resolving this type of issue.

Correct Answer: A

Explanation

Explanation/Reference:

QUESTION 11

Your customer has purchased a VNX to upgrade the storage for an Exchange Server cluster. What tool should you use to gather performance data from the Exchange cluster?

- A. iostat
- B. sar
- C. esxtop
- D. perfmon

Correct Answer: D

Explanation

Explanation/Reference:

QUESTION 12

While gathering existing customer environment information to provide a new VNX storage system solution, you have found many different HBA types, servers, operating systems, and other SAN hardware.

Which wizard within E-Lab Navigator can be used to validate a new VNX storage solution?

- A. SOE & Software Wizard
- B. CLARiiON Host Attach Wizard
- C. Switch Interoperability Wizard
- D. Storage Array Wizard

Correct Answer: C

Explanation

Explanation/Reference:

QUESTION 13

Your customer needs help understanding Unisphere statistics on a VNX, specifically the Number of Write Cache Pages. How do you explain this metric to the customer?

- A. It is displayed per each SP, and the total number is derived from the sum of both SPs.
- B. It is displayed per entire array, and the total number is half the sum of both SPs.
- C. It is displayed per each SP, and the total number is four times the sum of both SPs.
- D. When FAST Cache is enabled, the number includes the FAST Cache plus the sum of both SPs.

Correct Answer: A

Explanation

Explanation/Reference:

QUESTION 14

A customer wants to write a script that needs to list all linked remote VNX arrays for file-based replication. What CLI command should you recommend?

- A. nas_cel -list
- B. nas_cel -info
- C. nas_replicate -info
- D. nas_replicate -list

Correct Answer: A

Explanation

Explanation/Reference:

QUESTION 15

You are preparing a detailed VNX presentation for a technically-oriented customer. VNX arrays have been in their environment for over a year. One objective of the meeting is to go over historical data. The customer indicated that they would like to see Unisphere statistics as part of the analysis.

Assuming that statistics logging was enabled from day one, how long does the Unisphere GUI keep its real-time statistics?

- A. Real-time statistics are stored for 1 month.
- B. Real-time statistics cannot be saved to disk.
- C. Real-time statistics are stored for 3 months, unless the frequency interval is less than 5 minutes.
- D. Real-time statistics are stored indefinitely, but requires a dedicated collection server.

Correct Answer: B

Explanation

Explanation/Reference:

QUESTION 16

You are gathering data on a customer's VNX for analysis. Which Navisphere Secure CLI command can be used to display cumulative numbers for Total Reads and Total Writes?

- A. getcontrol
- B. getcache
- C. getlun
- D. getdisk

Correct Answer: A

Explanation

Explanation/Reference:

QUESTION 17

A customer is experiencing a performance issue with a specific VNX file system. Analyzer showed that the utilization of several RAID Groups was in the red. The problematic file system, however, was mapped only to one of those RAID Groups, while other RAID Groups served file systems without known issues. How would you explain utilization metric to this customer?

- A. Utilization is a calculated number that determines how busy an object is, and it is likely to be too high rather than too low.
- B. Utilization is a derived number that carries very little weight, and it is likely to be too low rather than too high.
- C. Utilization is a calculated number that is used only for the internal spinning disk write/read adjustment algorithms, and it is always definitive.
- D. Utilization is a metric showing the ratio between capacity and spinning speed. When high, it is an indicator that a particular disk should be replaced.

Correct Answer: A

Explanation

Explanation/Reference:

QUESTION 18

A customer is questioning whether their Unified VNX configuration is compliant with EMC VNX best practices. To start your evaluation, what information will you ask the customer's storage administrator to provide?

- A. VNX Qualifier; Collect support materials; and analyzer NAR files
- B. NAR data; EMC grabs; and HEAT reports
- C. ArrayConfig; VNX parameter list; and Active Directory information
- D. Collect support materials; ArrayConfig; and EMC grabs

Correct Answer: D

Explanation

Explanation/Reference:

QUESTION 19

A customer plans on using parallel NFS (pNFS) with the VNX. Which EMC document should be used to validate VNX support for pNFS?

- A. EMC VNX support matrix
- B. EMC published white paper
- C. EMC training materials
- D. EMC support email

Correct Answer: A

Explanation

Explanation/Reference:

QUESTION 20

You have advised your customer to upgrade their current CLARiiON storage array before migrating to a new VNX. The customer would like additional information about what benefits the upgrade will provide.

Where can you find information on known and fixed problems for EMC products?

- A. Release Notes

- B. Simple Support Matrix
- C. E-Lab Navigator
- D. E-Lab Analyzer

Correct Answer: A
Explanation

Explanation/Reference:

QUESTION 21

Which two scopes are only used by a VNX system while logging into USM?

- A. Local, LDAP
- B. Global, LDAP
- C. Global, Local
- D. Local, Kerberos

Correct Answer: B
Explanation

Explanation/Reference:

QUESTION 22

Your customer is looking to consolidate their current Windows CIFS server virtualized on VMware to a purpose built file sharing device. Their environment consists of:

- 250-300 power users leveraging complex macros and import data from other applications
- 15000-18000 average users leveraging home directories
- Some files are shared between their Windows and Red Hat application teams.

What key information should be collected to size and configure the VNX for their CIFS shares?

- A. Windows client/server version information
 - Active Directory Version information and average number of files per server
 - Average file size
 - Total storage used
 - Anti-virus version
- B. Windows client/server version information
 - Active Directory version information and number of domains Backup configuration
 - perfmon data
 - DASD RAID configuration
- C. Windows client/server version information
 - Average number of files per server and average file size Anti-virus version
 - Backup configuration
 - ESXTOP data
- D. Windows client/server version information
 - Average number of files per server and average file size Backup configuration
 - Anti-virus version
 - DASD RAID configuration

Correct Answer: A
Explanation

Explanation/Reference:

QUESTION 23

Your customer is looking to consolidate their current Windows CIFS server virtualized on VMware to a purpose built file sharing device. Their environment consists of.

- 250-300 power users leveraging complex macros and import data from other applications
- 15000-18000 average users leveraging home directories
- Some files are shared between their Windows and Red Hat application teams.

What key information should be collected to size and configure the VNX for their multi-protocol shares?

- A.
 - Windows and NFS client/server version information
 - Active Directory Version information and number of domains User mapping tools
 - Average number of files per server and average file size Total storage used
 - esxtop data
- B.
 - Windows and NFS client/server version information
 - Active Directory Version information and number of domains Average number of files per server and average file size Backup configuration, total storage used
 - Anti-virus version
 - DASD RAID Configuration
- C.
 - Windows and NFS client/server version information
 - Active Directory Version information and number of domains User mapping tools
 - Average number of files per server and average file size Total storage used
 - Anti-virus version
- D.
 - Windows and NFS client/server version information
 - Active Directory Version information and number of domains User mapping tools
 - Average number of files per server and average file size Total storage used
 - perfmon/iostat data

Correct Answer: D

Explanation

Explanation/Reference:

QUESTION 24

You are doing performance analysis on a VNX5100 that is configured with three virtual pools. You determine that FAST Cache would benefit overall performance. Why are you unable to configure FAST Cache on the array?

- A. Virtual pools have already been enabled.
- B. Cache memory needs to be disabled.
- C. Cache memory needs to be enabled.
- D. Engineering mode is required to enable FAST Cache.

Correct Answer: A

Explanation

Explanation/Reference:

QUESTION 25

A customer wants your help in deciding if their existing VNX array can be used to do back up to disk, instead for tape backups.

The customer has a unified VNX that is fully populated with 125 disks. When looking at analyzer data for the array, you see that it has a consistent utilization of over 70% on both SPs.

According to EMC best practices, what do you recommend to your customer?

- A. The array should not take on additional load.
- B. The VNX is not supported as a backup-to-disk target.
- C. The array can be used, but they must add an additional SP to the array.
- D. The array can be used, but they will need an additional blade.

Correct Answer: A

Explanation

Explanation/Reference:

QUESTION 26

You are planning a technical refresh of a customer's CLARiiON storage array to a VNX. They have stated that the CLARiiON seems to perform slowly and believe that they require additional disk spindles to satisfy their performance requirements.

What utility should you use to investigate performance trends?

- A. SP Collect
- B. Network Storage Designer
- C. Unisphere Analyzer
- D. E-Lab Advisor

Correct Answer: C

Explanation

Explanation/Reference:

QUESTION 27

Your customer has established a new virtual pool of storage containing NL-SAS drives in a RAID 5 configuration. Recently they have noticed that performance on the entire array is affected between 1:00AM and 4:00AM.

What information would best indicate the root cause?

- A. More than 21 forced flushes per second
- B. SP utilization greater than 71%
- C. Large sequential writes
- D. HWM set to 60%; LWM set to 40%

Correct Answer: A

Explanation

Explanation/Reference:

QUESTION 28

You are reviewing log files for a customer's application using Analyzer, and note the following:

- NFS write size is 8 KiB LUN
- Write size is 8 KiB
- Disk write size is 32 KiB

You can see that LUN write sizes are identical at 8 KiB.

Why is the application not writing at 32 KiB?

- A. No coalescing of data is occurring.
- B. Data access is sequential.
- C. Cache is being dumped.
- D. The HWM value is too high.

Correct Answer: A

Explanation

Explanation/Reference:

QUESTION 29

A customer is troubleshooting performance issues on a newly implemented VNX array. They have asked you how to check LUN SP ownership and the performance of individual disks.

Which tool would you recommend?

- A. ControlCenter Performance Manager
- B. Workload Analyzer
- C. Navisphere Manager
- D. Unisphere Analyzer

Correct Answer: D

Explanation

Explanation/Reference:

QUESTION 30

Refer to the exhibit.

```
Read Requests:          1834732
Write Requests:        120520652
Blocks read:           29355247
Blocks written:        1983388624
Write cache hits:      11989900
```

A customer is analyzing the size of data sent to disk. Which command generated the output?

- A. navisecli -h spa getdisk
- B. nas_disk -info
- C. navisecli -h spa getlun
- D. server_stats -monitor

Correct Answer: A

Explanation

Explanation/Reference:

QUESTION 31

You are reviewing a NAR file and notice that a LUN has a write cache hit ratio of 0.0.

How can you tell if write cache is enabled for the LUN?

- A. Check for forced flushes.
- B. Check the LUN write-aside value.
- C. Check for reads satisfied by the read cache.
- D. Check the SP Properties page.

Correct Answer: A

Explanation

Explanation/Reference:

QUESTION 32

Your customer is designing a newly purchased VNX with 30 NL-SAS drives. The customer's requirements in order of priority are 1) data availability and 2) performance.

What RAID type do you recommend?

- A. RAID 5
- B. RAID 1/0
- C. RAID 3
- D. RAID 6

Correct Answer: D

Explanation

Explanation/Reference:

QUESTION 33

During a customer data gathering meeting, a discussion about applications was presented. Most of the applications will best be suited for a RAID 5 pool on the VNX. However, one of the applications has an I/O requirement for RAID 1/0 spindles.

How should the RAID 1/0 application requirement be handled?

- A. Create two separate pools, one for RAID 5 and the other for RAID 1/0.
- B. Combine the RAID 1/0 with the RAID 5 into one pool.
- C. Create a large RAID 1/0 pool.
- D. Create a large RAID 6 pool.

Correct Answer: A

Explanation

Explanation/Reference:

QUESTION 34

Several Windows Server 2008 and RedHat Linux 5.5 servers are attached to VNX storage arrays. PowerPath version 5.5 was installed on all Windows servers but not on any of the Linux servers. Linux servers are using native MPIO for path failover. What are the required failover modes for Windows Server 2008 and RedHat Linux 5.5 servers?

- A. Failover mode 1 for Windows Server 2008
Failover mode 4 for RedHat Linux 5.5
- B. Failover mode 4 for Windows Server 2008
Failover mode 1 for RedHat Linux 5.5
- C. Failover mode 1 for Windows Server 2008
Failover mode 1 for RedHat Linux 5.5
- D. Failover mode 4 for Windows Server 2008
Failover mode 4 for RedHat Linux 5.5

Correct Answer: D

Explanation

Explanation/Reference:

QUESTION 35

Several Windows servers are allocated storage from the VNX array. The customer would like to know whether any of these servers are subject to disk crossing.

What tools are available to verify this condition?

- A. Unisphere Analyzer and NaviSecCLI
- B. Navisphere Analyzer and NaviSecCLI
- C. ECC Performance Manager and Navisphere Analyzer
- D. ECC Performance Manager and Work Load Analyzer

Correct Answer: A

Explanation

Explanation/Reference:

QUESTION 36

Your customer wants to add Flash drives to their VNX array and use them as FAST Cache. They have specified that they want at least 150 GB of actual FAST Cache capacity on each SP. There are no Flash drives in the array and they want to follow EMC best practices on hot spares. How can this be achieved?

- A. Five 200 GB Flash drives
- B. Three 200 GB Flash drives
- C. Five 100 GB Flash drives
- D. Four 200 GB Flash drives

Correct Answer: A

Explanation

Explanation/Reference:

QUESTION 37

Your customer has recently purchased nine VNX arrays. They would like to utilize their current single Tier 2 backup server to back up the Tier 2 LUNs on all nine arrays, and would like to remain aligned with EMC best practices.

What is your recommendation?

- A. Maximum Fibre Channel fan-out rule should be limited to 8 arrays.
- B. Maximum Fibre Channel fan-in rule should be limited to 4 arrays.
- C. Maximum Fibre Channel fan-in rule should be limited to 8 arrays.
- D. Maximum Fibre Channel fan-out rule should be limited to 4 arrays.

Correct Answer: B

Explanation

Explanation/Reference:

QUESTION 38

Click on the calculator icon in the upper left-hand corner. A customer has four (4) LUNs of 500 GiB each, six (6) LUNs of 250 GiB each, and five (5) LUNs of 100 GiB each. All the drives presently in their VNX system are SAS and NL-SAS. They wish to implement FAST Cache. Your data collection shows the skew to be 95%. What is the minimum size of FAST Cache recommended for this environment?

- A. 200 GiB
- B. 100 GiB
- C. 400 GiB
- D. 500 GiB

Correct Answer: A

Explanation

Explanation/Reference:

QUESTION 39

Click on the calculator icon in the upper left-hand corner. A customer has 6 LUNs of 500 GiB each, 6 LUNs of 250 GiB each, and 15 LUNs of 100 GiB each. All the drives presently in their VNX system are SAS and NL-SAS. They wish to implement FAST Cache. Your data collection shows the skew to be 94%. What is the minimum recommended size of FAST Cache for this environment?

- A. 400 GiB
- B. 100 GiB
- C. 200 GiB
- D. 500 GiB

Correct Answer: A

Explanation

Explanation/Reference:

QUESTION 40

Click on the calculator icon in the upper left-hand corner. A customer has a heterogeneous pool with the following configuration:

- 1000 GiB of Flash, with 400 GiB free
- 10,000 GiB of SAS, with 2,000 GiB free
- 80,000 GiB of NL-SAS, with 20,000 GiB free

The customer creates a new LUN with data placement policy set to "auto-tiering". The LUN is then populated it with 500 GiB of data. How will that data be distributed (numbers are approximate)?

- A. 300 GiB on Flash, 200 GiB on SAS, no data on NL-SAS
- B. 166 GiB on Flash, 166 GiB on SAS, 167 GiB on NL-SAS
- C. 9 GiB on Flash, 45 GiB on SAS, 446 GiB on NL-SAS
- D. 400 GiB on Flash, 100 GiB on SAS, no data on NL-SAS

Correct Answer: C

Explanation

Explanation/Reference:

QUESTION 41

Click on the calculator icon in the upper left-hand corner. A customer has a heterogeneous pool with the following configuration:

- 800 GiB of Flash, with 300 GiB free
- 12,000 GiB of SAS, with 2,000 GiB free
- 50,000 GiB of NL-SAS, with 25,000 GiB free

The customer creates a new LUN with data placement policy set to "highest available tier". The LUN is then populated with 600 GiB of data. How is that data distributed (numbers are approximate)?

- A. 220 GiB on Flash, 380 GiB on SAS, no data on NL-SAS
- B. 300 GiB on Flash, 400 GiB on SAS, no data on NL-SAS
- C. 200 GiB on Flash, 200 GiB on SAS, 200 GiB on NL-SAS
- D. 10 GiB on Flash, 110 GiB on SAS, 480 GiB on NL-SAS

Correct Answer: A

Explanation

Explanation/Reference:

QUESTION 42

Your customer's IT group configured a VNX array and created multiple RAID 5 (2+1) RAID Groups. They just realized their mistake and bought new drives.

How would you bring the customer into compliance with EMC best practices with minimal impact?

- A. Create RAID-5 (4+1) groups with new drives; migrate LUNs to new RAID Groups.
- B. Use the new drives to expand existing RAID-5 Groups to RAID-5 (4+1) Groups.
- C. Back up all data to tape; then destroy and re-create RAID Groups with RAID-5 (4+1) RAID Groups.
- D. Buy a new VNX configured with RAID-5 (4+1) and use SAN Copy to migrate the data.

Correct Answer: A

Explanation

Explanation/Reference:

QUESTION 43

Your customer has two clustered SQL servers that require direct access to LUNs located on their VNX storage array.

Both servers are located in the customer's main office. The VNX storage array is located in the customer's data center, which is approximately 1.5 km from their office. Both facilities are interconnected using their existing IP network.

Which protocol should be used to connect the servers to the storage array?

- A. FC
- B. iSCSI
- C. CIFS
- D. FCIP

Correct Answer: B

Explanation

Explanation/Reference:

QUESTION 44

Your customer needs to add additional capacity to their existing FAST VP which currently contains four Flash drives in a RAID 5 configuration.

Which configurations can be added to this pool?

- A. Five SAS drives in a RAID 5 configuration
- B. Four Flash drives in a RAID 1/0 configuration
- C. Six Flash drives in a RAID 6 configuration
- D. Four SAS drives in a RAID 1/0 configuration

Correct Answer: A

Explanation

Explanation/Reference:

QUESTION 45

Your customer has just purchased a new VNX, which will be dedicated to their large SQL 2008 cluster. High-performance and high-availability are critical.

To meet their availability requirements, the customer has requested the configuration be optimized to allow both storage processors to process I/O for any given LUN without trespassing the LUN.

Which configuration best supports their availability requirements?

- A. Failover Mode 4
- B. Failover Mode 1
- C. Failover Mode 2
- D. Not supported on VNX platform

Correct Answer: A

Explanation

Explanation/Reference:

QUESTION 46

Your customer has just purchased ten 1TB NL-SAS drives for their VNX array. This additional capacity will be used to archive their large image repository.

Which configuration will provide the most efficient use of capacity while still following best practices?

- A. Two RAID Groups with five drives each in a RAID 5 configuration
- B. One RAID Group with ten drives in a RAID 1/0 configuration
- C. One RAID Group with ten drives in a RAID 6 configuration
- D. Two RAID Groups with five drives each in a RAID 6 configuration

Correct Answer: C

Explanation

Explanation/Reference:

QUESTION 47

After reviewing the design for their new VNX, your customer has requested further explanation of the hot spare algorithm used by the array. You propose the following scenario:

RAID group 200 consists of five 600 GB 10K SAS drives in a RAID 5 configuration. Within this RAID group there are three 25 GiB LUNs. One of the five drives has just failed.

In your scenario, which hot spare drive would the array first select to replace the failed drive?

- A. SAS: 300 GB
- B. SAS: 600 GB
- C. NL-SAS: 2 TB
- D. EFD: 100 GB

Correct Answer: B

Explanation

Explanation/Reference:

Reference: <http://www.emc.com/collateral/software/technical-documentation/h8281-atmos-ve-> (page 28 and 30)
vnx-deployment.pdf

QUESTION 48

Your customer is designing a VNX file system using CIFS quotas with a supported third-party application.

What software option is required to support this implementation?

- A. VEE
- B. VAVA
- C. VEPA
- D. CEPA

Correct Answer: A

Explanation

Explanation/Reference:

QUESTION 49

Your customer is implementing a Unified VNX system leveraging CIFS general purpose file shares. They are implementing all virtual provisioning and FAST features to maximize storage efficiency.

Which recommendations are made when leveraging virtual provisioning?

- A. Either the file system or the underlying LUN in a FAST pool should be thin, but not both.
- B. The underlying LUN in a FAST pool should be thin and have FAST Cache enabled.
- C. Either the file system or the underlying LUN in a FAST pool should be thin, as long as FAST Cache is enabled.
- D. Use thin provisioning at the file level and thick LUNs within a FAST pool of storage.

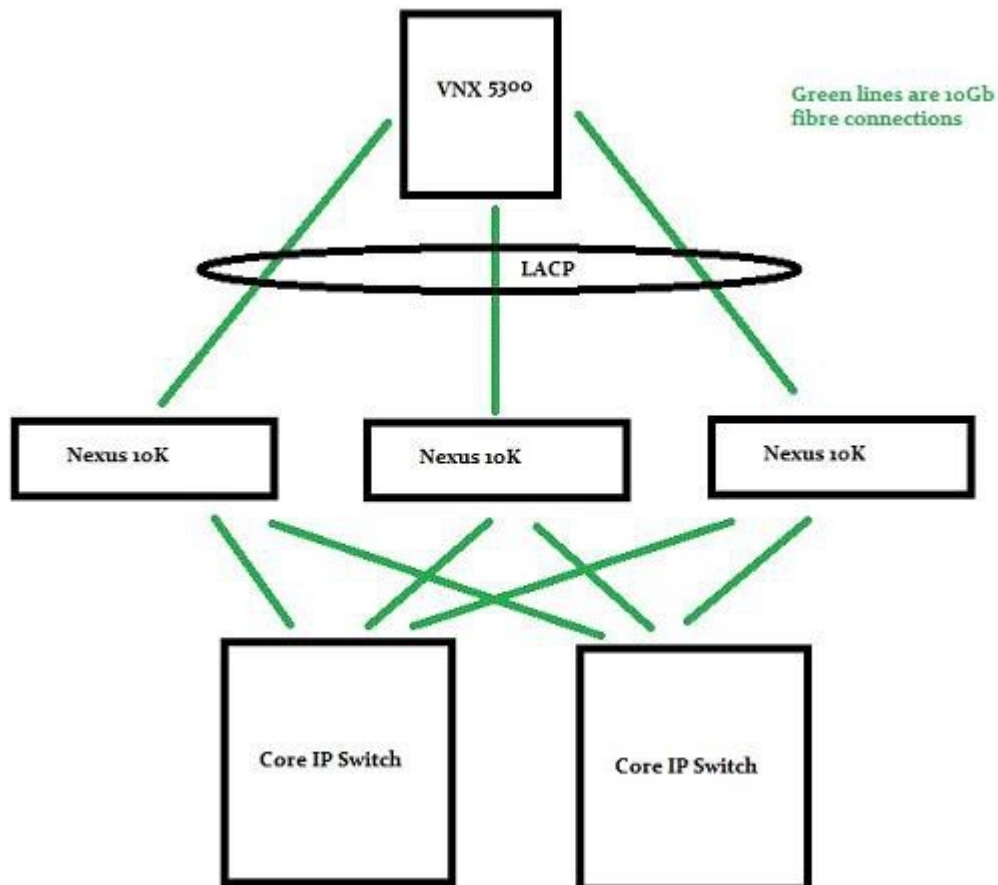
Correct Answer: D

Explanation

Explanation/Reference:

QUESTION 50

Refer to the exhibit.



While trying to maximize availability for CIFS clients, the customer has designed the following 10 Gb/s IP environment. What would you change in this design?

- A. Ensure every connection has a failover to another switch.
- B. Two Nexus switches are needed and the connection to the third switch removed.
- C. Add three more connections to the VNX.
- D. Change from LACP to EtherChannel for higher performance.
- E. Upgrade to a VNX7500 to provide additional Data Movers.
- F. a) and b)
- G. a) and b) and c)
- H. b) and d)
- I. c) and d) and e)

Correct Answer: A

Explanation

Explanation/Reference:

QUESTION 51

You get a call from the customer asking about Active Directory integration for user mapping. They have used EMC NAS products for over ten years and have extended the schema some years ago. Now they are trying to migrate to default Windows Services for UNIX (SFU, aka IDMU) for the UID/GID needs.

Which statement best describes the choices available?

- A. Old EMC domain schema extension and SFU are not overlapping, and can co-exist. The SID/UID data between them must be migrated manually.

- B. Old EMC domain schema extension and SFU are overlapping, and can co-exist. The SID/UID data between them can be migrated automatically.
- C. Old EMC domain schema extension and SFU are not overlapping, and cannot co-exist. The SID/UID data between them must be migrated manually.
- D. Old EMC domain schema extension and SFU are overlapping, and cannot co-exist. The SID/UID data between them cannot be migrated at all due to different formats.

Correct Answer: A

Explanation

Explanation/Reference:

QUESTION 52

A customer is concerned about UserMapper database and asks you what will happen to the VNX CIFS users if UserMapper is unavailable.

What do you advise them?

- A. All users will be affected.
- B. Only new users will be affected.
- C. Only UNIX users will be affected.
- D. All CIFS users will be affected.

Correct Answer: B

Explanation

Explanation/Reference:

QUESTION 53

Your customer has recently purchased a VNX for File. Due to the budget limits, they were unable to purchase enough SAS drives to create all of their required file shares. They would like to use their NL-SAS drives but are concerned about lower performance.

What EMC solution do you propose?

- A. Configure Cloud Tiering Appliance to archive data to the NL-SAS
- B. Provision thin LUNs using a FAST-VP pool with the SAS and NL-SAS drives.
- C. Allocate the SAS drives for file and use the NL-SAS drives for snapshots.
- D. Configure Cloud Tiering Appliance to migrate data to the NL-SAS

Correct Answer: A

Explanation

Explanation/Reference:

QUESTION 54

Your customer is designing a CIFS application with very specific high CIFS I/O requirements.

What is the best recommendation when designing the CIFS storage pool?

- A. RAID 1/0 MVM storage pool with 15K RPM drives
- B. RAID 1/0 AVM storage pool with 15K RPM drives
- C. RAID 5 AVM storage pool with 15K RPM drives
- D. RAID 5 user-defined storage pool with SAS drives

Correct Answer: A

Explanation

Explanation/Reference:

QUESTION 55

You are planning a file-only implementation where the customer will be using AVM. You want to make the best use of storage pools to preserve the performance of VNX.

Which statement offers the best storage pool guidance for file system creation with AVM?

- A. Balance between two storage pools of the same disk type.
- B. Use a storage pool of at least two disk types for tiering.
- C. Span across storage pools of different disk types for tiering.
- D. Use a single storage pool of the same disk type.

Correct Answer: D

Explanation

Explanation/Reference:

QUESTION 56

Your customer is using the front-end iSCSI ports on their VNX. They are experiencing long delays and reduced bandwidth as they add servers to their environment.

Which option will increase the customer's overall bandwidth while maintaining EMC best practices for iSCSI?

- A. Increase the MTU to the maximum supported size allowed by the host and switch.
- B. Enable Delayed ACK to allow the VNX to process the I/O before sending acknowledgment.
- C. Increase the MTU to the maximum iSCSI limit to allow for maximum bandwidth.
- D. Enable Pause Frames to allow the VNX to process all current I/O before new requests are accepted.

Correct Answer: A

Explanation

Explanation/Reference:

QUESTION 57

Your customer currently has a Block-only VNX. They now want to add file services to replace an older Windows Server cluster. You are planning to add the file option to the current configuration.

Where in the configuration do the Control LUNs for file reside?

- A. On the vault LUNs
- B. On the vault drives
- C. On any five contiguous disks on any enclosure
- D. On any four contiguous disks on any enclosure

Correct Answer: B

Explanation

Explanation/Reference:

QUESTION 58

A customer created a user-defined storage pool to physically segregate the file systems of a business unit. The customer was careful to select LUNs from different RAID Groups for the user-defined pool. After

creating a file system from this storage pool with AVM, the customer discovered that the file system was created on a single LUN instead of multiple LUNs for better performance.

What do you recommend to make AVM use multiple LUNs when creating a file system from the user-defined pool?

- A. Stripe LUNs before adding them to the user-defined pool.
- B. Specify file system size greater than any single LUN size.
- C. Define the file system type to be MPFS.
- D. Use the "slice=yes" option for the file system.

Correct Answer: A

Explanation

Explanation/Reference:

QUESTION 59

You are asked to design the backend layout for a large Unified Storage VNX. You find that the customer intends to use most of the disk space for block-level devices in the SAN.

How should NAS RAID Groups be selected on the array for optimum AVM performance?

- A. Evenly, across as many backend busses as possible.
- B. Take all from one bus before going to the next bus.
- C. Use the odd-numbered busses while staying off the zero-bus.
- D. Take all from two busses before going to the next pair.

Correct Answer: A

Explanation

Explanation/Reference:

QUESTION 60

A customer has an existing Unified VNX which is used only for block data. They are now looking to consolidate a few Windows servers onto the VNX. There is empty space on existing pools, which the customer is planning to use for file storage.

What would you advise the customer?

- A. Sharing pools is recommended by all performance experts.
- B. Microsoft doesn't recommend sharing pools between servers and clients for better correlation of I/O requests.
- C. Although not explicitly prohibited, best practices advises against sharing pools.
- D. Sharing pools is permitted as long as file data consists mostly of sparse files.

Correct Answer: C

Explanation

Explanation/Reference:

QUESTION 61

Your customer has recently deployed MS SharePoint using MS SQL as the backend database. Their deployment has grown to over 1 TiB in size and continues to increase approximately 10% per month. Their users have reported performance issues.

What configuration using externalization of BLOB data should you recommend?

- A. RAID 6 with NL-SAS drives
- B. RAID 5 with NL-SAS drives
- C. RAID 5 with SAS drives
- D. RAID 6 with SAS drives

Correct Answer: A

Explanation

Explanation/Reference:

QUESTION 62

Click on the calculator icon in the upper left-hand corner. A customer has an application requirement of 3000 IOPS with 60/40 read/write ratio and with 5 TiB storage capacity. The I/O is random. The customer is concerned about cost. You are proposing VNX with 300 GB 10K SAS drives.

What should the proposed configuration be to minimize the costs with EMC best practices in mind?

- A. RAID 1/0 with 38 drives
- B. RAID 5 with 25 drives
- C. RAID 5 with 45 drives
- D. RAID 1 with 24 drives

Correct Answer: A

Explanation

Explanation/Reference:

QUESTION 63

A customer is considering the VNX to support the SQL environment. What storage feature of the VNX provides the best performance for the SQL application?

- A. RAID Group LUNs
- B. FAST VP
- C. FAST Cache
- D. Thin pool LUNs

Correct Answer: C

Explanation

Explanation/Reference:

QUESTION 64

A customer is planning on migrating their Exchange data to a VNX array. You have gathered the following information:

- 6000 IOPS; 50% read/write ratio
- Calculating for RAID 5, what is the minimum number of 15K SAS drives required?

- A. 84
- B. 100
- C. 34
- D. 96

Correct Answer: A

Explanation

Explanation/Reference:

QUESTION 65

A customer has the following requirements for their ESX environment:

- Three 500 GiB datastores
- One 1 TiB datastore
- One 7 TiB datastore

Based on the datastore information, what would you recommend?

- A. CIFS
- B. File iSCSI
- C. Block iSCSI
- D. NFS

Correct Answer: D

Explanation

Explanation/Reference:

QUESTION 66

After deploying their new VNX, your customer has inquired about features and tools to optimize their VMware environment.

Which tools or feature enables efficient SCSI LUN reservation methods and reduces I/O traffic during cloning or zeroing operations?

- A. vStorage APIs for Array Integration (VAAI)
- B. PowerPath/VE
- C. Replication Manager
- D. Virtual Storage Integrator (VSI)

Correct Answer: A

Explanation

Explanation/Reference:

QUESTION 67

Click on the calculator icon in the upper left-hand corner. Your customer has the following requirements for their CIFS home directories:

- Checkpoint every 10 minutes
- Data retention 24-hours
- Self-service file-level recovery

Which checkpoint interval in minutes should you recommend?

- A. 20
- B. 30
- C. 60
- D. 45

Correct Answer: A

Explanation

Explanation/Reference:

QUESTION 68

A customer has purchased a VNX array and is in the process of allocating RAID 5 (4+1) storage. They have asked you for best practices on number and placement of LUNs for the Reserved LUN pool.

Which response provides the best answer?

- A. Reserved LUNs can be of different sizes, but there should be no more than 25 in a 4+1 RAID 5 Group.
- B. All Reserved LUNs should be the same size, with no more than 25 in a 4+1 RAID 5 Group.
- C. All Reserved LUNs should be the same size, with no more than 15 in a 4+1 RAID 5 Group.
- D. Reserved LUNs can be of different sizes, but there should be no more than 15 in a 4+1 RAID 5 Group.

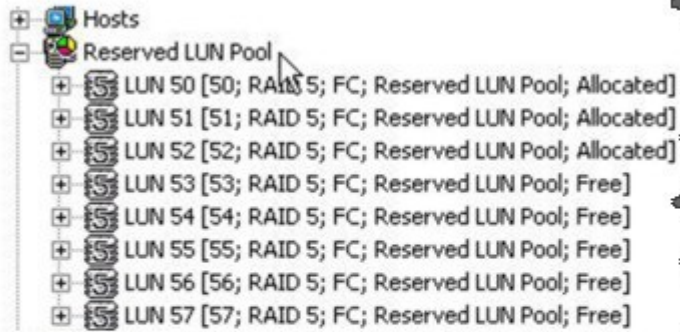
Correct Answer: A

Explanation

Explanation/Reference:

Number, Size, Placement of RLP LUNs

- Best practices
 - ▶ All RLS the same size
 - ▶ 2 RLS per Source LUN
- Avoid NL-SAS drives
- No more than 25 RLS on a 4+1 R5 Group
- Spread RLS across RAID Groups
- Keep RLS separate from their Source LUNs



QUESTION 69

Click on the calculator icon in the upper left-hand corner. A customer wants to add a SnapView snapshot to a 500 GiB LUN. Captured data show that the LUN performs 500 4 KiB IOPs with a read/write ratio of 3:1. What is the expected initial bandwidth at which data chunks will be written into the Reserved LUN Pool?

- A. 7.813 MiB/s
- B. 3.906 MiB/s
- C. 500 KiB/s
- D. 2.125 MiB/s

Correct Answer: A

Explanation

Explanation/Reference:

QUESTION 70

Click on the calculator icon in the upper left-hand corner. A customer wants to add a SnapView snapshot to a 600 GiB LUN. Captured data show that the LUN has an access rate of 1000 IOPs with a read/write ratio of 4:1, and 8 KiB IOs. What is the expected initial bandwidth at which data chunks will be written into

the Reserved LUN Pool?

- A. 12.500 MiB/s
- B. 1.563 MiB/s
- C. 6.250 MiB/s
- D. 25.000 MiB/s

Correct Answer: A

Explanation

Explanation/Reference:

QUESTION 71

A snapshot is being used to perform a backup of the LUN. How can the backup activity impact the host performance on the source LUN?

- A. Decreased write response times
- B. Decreased read response times
- C. Increased write response times.
- D. Reads from snaps are faster than from source LUNs.

Correct Answer: C

Explanation

Explanation/Reference:

QUESTION 72

A customer would like to implement SnapView but has expressed concern about performance. Which applications will cause performance issues?

- A. Applications with small-block continuous writes
- B. Applications with large-block random writes
- C. Applications with large-block continuous writes
- D. Applications with small-block random writes

Correct Answer: D

Explanation

Explanation/Reference:

QUESTION 73

Click on the calculator icon in the upper left-hand corner.

Customer requirements call for a SnapView snapshot to be made of a clone prior to resynchronization. The source LUN is 256 GiB, and performs 500 random reads/s and 25 random writes/s of 8 KiB. The clone will be fractured every 15 minutes, and resynchronized after the snapshot is started.

How many COFWs will be performed each time the clone is resynchronized?

- A. 45,000
- B. 22,500
- C. 112,500
- D. 56,250

Correct Answer: A

Explanation

Explanation/Reference:

QUESTION 74

Click on the calculator icon in the upper left-hand corner.

Customer requirements call for a SnapView snapshot to be made of a clone prior to resynchronization. The source LUN is 512 GiB, and performs 550 random reads/s and 10 random writes/s of 4 KiB. The clone will be fractured every 10 minutes, and resynchronized after the snapshot is started.

How many COFWs will be performed each time the clone is resynchronized?

- A. 24,000
- B. 12,000
- C. 36,000
- D. 48,000

Correct Answer: A

Explanation

Explanation/Reference:

QUESTION 75

A customer requests to have 90 SnapSure checkpoints for every file system. After an interview with the administrator, you learn that the company has to comply with an industry requirement of keeping data on disk for a quarter.

What approach solves the requirement with least disk overhead?

- A. Create three checkpoint schedules:
 - Snap a checkpoint every day, every even hour, keep 4.
 - Snap a checkpoint Mon-Sat, at 5pm, keep 6.
 - Snap a checkpoint on Sun, at 6pm, keep 80.
- B. Create four checkpoint schedules:
 - Snap a checkpoint every day, every hour between 8am and 4pm, keep 7.
 - Snap a checkpoint Mon-Sat, at 5pm, keep 6.
 - Snap a checkpoint on Sun, at 5pm, keep 3.
 - Snap a checkpoint every 1st of the month, at 6pm, keep 3.
- C. Create two checkpoint schedules:
 - Snap a checkpoint every day, every hour, keep 12.
 - Snap a checkpoint Mon, at 5pm, keep 12.
- D. Create one checkpoint schedule.
 - Snap a checkpoint every day, at 5pm, keep 90.

Correct Answer: B

Explanation

Explanation/Reference:

QUESTION 76

Your customer has recently seen a significant increase in overall useable capacity of their CIFS file shares after enabling file-based deduplication. They have also noticed a significant decrease in the overall available storage on the VNX system.

What is the most likely cause?

- A. Replicator is enabled.
- B. Significant increase in user activity.

- C. Checkpoints are disabled.
- D. Recent restore of a file system.

Correct Answer: A

Explanation

Explanation/Reference:

QUESTION 77

Your customer is running Exchange 2007 with VSS.

They have just purchased RecoverPoint/SE.

Which replication options are supported for their Exchange 2007 environment?

- A. Online full, online copy, online differential
- B. Online full, offline copy, online differential
- C. Offline full, online copy, online differential
- D. Offline full, offline copy, online differential

Correct Answer: A

Explanation

Explanation/Reference:

QUESTION 78

Your customer is planning to implement RecoverPoint for local replication. They have several CLARiiON CX-4 arrays, two Celerras and a VNX array. They have the following hosts in the environment: Windows (2003 and 2008), Linux and AIX. They also use VMware. The customer wants to use host-based splitters

Which version of RecoverPoint should you recommend?

- A. RecoverPoint/SE CDP
- B. RecoverPoint/SE CRR
- C. RecoverPoint/SE CLR
- D. RecoverPoint

Correct Answer: D

Explanation

Explanation/Reference:

QUESTION 79

You have been working with a customer on sizing and implementing a RecoverPoint/SE CDP solution into their environment. The customer calls you, wanting to know how they can log in to the RecoverPoint application.

What IP address should they use to accomplish this?

- A. Management IP address for the RPA Cluster
- B. Management IP address for the Control Station
- C. IP address of the X-Blade
- D. IP address of the RecoverPoint appliance

Correct Answer: A

Explanation

Explanation/Reference:

QUESTION 80

Your customer plans to use Incremental SAN Copy as part of a DR solution. The Source LUN is 512 GiB in size, and a clone of this LUN will be used as the ISC source LUN. The host accessing the LUN generates 500 4 KiB IOPS with a R/W ratio of 3:1. The clone is fractured every 30 minutes, and an ISC update is performed.

How much data is moved across the link in the 30-minute period?

- A. 900 MiB
- B. 28 GiB
- C. 56 GiB
- D. 1800 MiB

Correct Answer: C

Explanation

Explanation/Reference:

QUESTION 81

Your customer plans to use Incremental SAN Copy as part of a DR solution. The Source LUN is 256 GiB in size, and a clone of this LUN will be used as the ISC source LUN. The host accessing the LUN generates 500 4 KiB IOPS with a R/W ratio of 9:1. The clone is fractured every 20 minutes, and an ISC update is performed. How much data is moved across the link in the 20-minute period?

- A. 7.5 GiB
- B. 240 MiB
- C. 15 GiB
- D. 480 MiB

Correct Answer: A

Explanation

Explanation/Reference:

QUESTION 82

You are reviewing the MirrorView/S configuration on a VNX array. The source LUN is a metaLUN. What is the best practice for FAST Cache for component LUNs of a metaLUN source?

- A. Enable in all component LUNs.
- B. Disable in all but the first component LUN.
- C. Enable in all LUNs except the first component LUN.
- D. Disable in all component LUNs.

Correct Answer: A

Explanation

Explanation/Reference:

QUESTION 83

A customer has a 512 GiB primary MirrorView/S image. The image workload is 1,000 IOPs of random 4 KiB IOs, with a R/W ratio of 3:1. The secondary image is fractured for 30 seconds as the result of a connectivity failure. How much data will be copied to the secondary as part of the resynchronization process?

- A. 1.8 GiB
- B. 3.0 GiB
- C. 5.1 GiB
- D. 10.0 GiB

Correct Answer: A

Explanation

Explanation/Reference:

QUESTION 84

A customer has a 256 GiB primary MirrorView/S image. The image workload is 1,000 IOPs of random 8 KiB I/Os, with a R/W ratio of 3:1. The secondary image is fractured for 20 seconds as the result of a connectivity failure. How much data will be copied to the secondary as part of the resynchronization process?

- A. 5,120 MiB
- B. 1,250 MiB
- C. 2,560 MiB
- D. 8,192 MiB

Correct Answer: B

Explanation

Explanation/Reference:

QUESTION 85

Click on the calculator icon in the upper left-hand corner. A customer has a 2 TiB LUN which will be mirrored with MirrorView/S. Analyzer shows the current workload to be 500 8 KiB IOPs with a R/W ratio of 3:1. The customer requires that the mirror should resynchronize within 2 hours if fractured for 10 minutes or less. How much bandwidth is required to meet customer requirements?

- A. 10 Mb/s
- B. 20 Mb/s
- C. 54 Mb/s
- D. 114 Mb/s

Correct Answer: D

Explanation

Explanation/Reference:

QUESTION 86

Click on the calculator icon in the upper left-hand corner. A customer has a 1 TiB LUN which will be mirrored with MirrorView/S. Analyzer shows the current workload to be 600 8 KiB IOPs with a R/W ratio of 2:1. The customer requires that the mirror should resynchronize within 90 minutes if fractured for 15 minutes or less. How much bandwidth is required to meet customer requirements?

- A. 182 Mb/s
- B. 12 Mb/s
- C. 48 Mb/s
- D. 91 Mb/s

Correct Answer: A

Explanation

Explanation/Reference:

QUESTION 87

Your customer wants to set up MirrorView/S between VNX arrays in their primary and secondary data centers. The two data centers are located 50 kilometers apart. Both VNX arrays are running Unisphere version 1.1.

How can this be done?

- A. Using Navisphere Secure CLI
- B. Using Unisphere GUI
- C. Using Unisphere Service Manager
- D. Using ESRS

Correct Answer: B
Explanation

Explanation/Reference:

Right-click menu options – MirrorView/Synchronous

The following right-click options are available when MirrorView is installed. Depending on the status of the component, some menu options appear dimmed and are not available.

Note: Menu options are disabled if the remote mirroring feature is not supported or is unavailable.

Component	Menu Option	Use To
Storage system		
MirrorView	Create Remote Mirror	Create a remote mirror
MirrorView	Allocate/Deallocate Write Intent Log	Allocate/deallocate the write intent log
MirrorView	Manage MirrorView Connections	Manage MirrorView connections
MirrorView	Create Group	Create a Consistency Group
Remote Mirror	Add Secondary Image	Add a new secondary image for the remote mirror
	Delete	Delete the remote mirror
	Properties	View or modify the properties of the remote mirror
Remote Mirror Image	Synchronize	Start to synchronize a secondary mirror image
	Promote	Promote a secondary mirror image to primary mirror image
	Remove	Remove the secondary mirror image
	Fracture	Fracture the secondary mirror image
LUN		
MirrorView	Create Remote Mirror	Create a remote mirror
MirrorView	Create Secondary Image LUN	Create a same-sized LUN on a secondary storage system connected to the LUN's parent storage system

QUESTION 88

You are reviewing the array configuration of a VNX array that has MirrorView/A enabled. You notice that all the images related to MirrorView/A have FAST Cache disabled. What is the best practice for FAST Cache on MirrorView/A?

- A. Enable on source image and RLP LUNs.

- B. Enable on source image.
- C. Disable on source image.
- D. Disable on source image and RLP LUNs.

Correct Answer: B

Explanation

Explanation/Reference:

QUESTION 89

Click on the calculator icon in the upper left-hand corner. Your customer wants to use a VNX system at an unmanned DR site. The system will be used exclusively as a secondary MirrorView/A system, and it is capable of performing 30,000 LUN IOPs in this role. The primary system is also a VNX.

If the primary image workload consists of 4 KiB random IOs with a R/W ratio of 3:1, what is the maximum bandwidth required for the link between the VNX systems?

- A. 240 Mb/s
- B. 360 Mb/s
- C. 480 Mb/s
- D. 600 Mb/s

Correct Answer: A

Explanation

Explanation/Reference:

QUESTION 90

Click on the calculator icon in the upper left-hand corner. Your customer wants to use a VNX system at an unmanned DR site. The system will be used exclusively as a secondary MirrorView/A system, and it is capable of performing 60,000 LUN IOPs in this role. The primary system is also a VNX.

If the total primary image workload consists of 1 KiB random I/Os with a R/W ratio of 3:1, what is the maximum bandwidth required for the link between the VNX systems?

- A. 240 Mb/s
- B. 120 Mb/s
- C. 360 Mb/s
- D. 600 Mb/s

Correct Answer: A

Explanation

Explanation/Reference:

QUESTION 91

How is RPO calculated in MirrorView/A environments?

- A. Half the update cycle
- B. Chunks used divided by link bandwidth
- C. Twice the update cycle
- D. Blocks transferred divided by link bandwidth

Correct Answer: C

Explanation

Explanation/Reference:

QUESTION 92

During data collection, the Time Out of Sync (TOS) setting is currently set at 10 minutes. You recommend a larger TOS setting based on the data that will be replicated.

Under what conditions would you increase the TOS setting?

- A. Source is prone to bursts of write activity.
- B. Source is prone to bursts of read activity.
- C. Source is prone to very low write activity.
- D. Source is prone to very low read activity.

Correct Answer: A

Explanation

Explanation/Reference:

QUESTION 93

A new customer is looking at purchasing two new VNXs and wants to replicate the CIFS environment.

What is a recommended configuration to have CIFS replicated?

- A. VDM
- B. AVM
- C. VSS
- D. CRR

Correct Answer: A

Explanation

Explanation/Reference:

QUESTION 94

Your customer calls you about their new replication solution. CIFS access is being interrupted intermittently on the replication target.

What would you recommend to avoid interruption?

- A. Increase RPO to 20 minutes.
- B. Disable Auto Extend on the source file system.
- C. Use a checkpoint of the destination file system for client access at the destination site.
- D. Use a checkpoint of the source file system for client access at the destination site.

Correct Answer: C

Explanation

Explanation/Reference:

QUESTION 95

During a design session with the customer you discover a need to replicate the source VNX to many locations for Disaster Recovery requirements.

How many locations or targets can Replicator support?

- A. 4

- B. 6
- C. 1
- D. 2

Correct Answer: A

Explanation

Explanation/Reference:

QUESTION 96

You have been asked to design a replication solution for file data. The replication will be from a customer's remote data center to their primary data center. The distance between the data centers is 1200 km. The initial synchronization is 125 Gb of data over a WAN (1.2 Mb/s) with a 33 ms delay.

Which replication solution supports the use of physical media to transport the initial copy?

- A. VNX Replicator
- B. RecoverPoint/SE CRR
- C. RecoverPoint/SE CDP
- D. SAN Copy

Correct Answer: A

Explanation

Explanation/Reference:

QUESTION 97

During a design session with the customer, you determine that they require all tier one LUNs on the production VNX be replicated to a remote VNX. They also require the ability to be able to restore or mount the data at any given time during the day.

What replication technology would you recommend?

- A. SAN Copy
- B. MirrorView/A
- C. SnapSure
- D. RecoverPoint

Correct Answer: D

Explanation

Explanation/Reference:

QUESTION 98

A customer wants to use RecoverPoint/SE CRR. They have just realized that they need to use RecoverPoint write splitters, but do not understand how they work.

What does the splitter do after it intercepts a write I/O meant for a RecoverPoint Protected LUN?

- A. It sends a copy to the local RecoverPoint appliance.
- B. It sends the I/O to the local RecoverPoint appliance instead of the LUN.
- C. It sends the I/O to both the local and the remote RecoverPoint appliances.
- D. It sends a copy to the remote RecoverPoint appliance.

Correct Answer: A

Explanation

Explanation/Reference:

QUESTION 99

You are sizing a new RecoverPoint/SE CRR installation for a customer. You have gathered data from their environment and have decided that they will need 142 consistency groups.

How many RecoverPoint clusters at each site must you plan for?

- A. 2
- B. 4
- C. 6
- D. 8

Correct Answer: A

Explanation

Explanation/Reference:

QUESTION 100

You are sizing a new RecoverPoint/SE CRR installation for a customer. You have gathered data from their environment and have decided that they will need 142 consistency groups.

How many RecoverPoint appliances at each site must you plan for?

- A. 2
- B. 6
- C. 8
- D. 4

Correct Answer: D

Explanation

Explanation/Reference:

QUESTION 101

A customer is migrating NFS data off the legacy non-EMC array to the VNX. The customer wants to keep downtime to a minimum.

Which tool is best suited for this task?

- A. rsync
- B. SAN Copy
- C. emcopy
- D. VNX Replicator

Correct Answer: A

Explanation

Explanation/Reference:

QUESTION 102

A customer is migrating multiprotocol data off a NetApp array to a VNX. The customer wants to keep downtime to a minimum. Which tool is best suited for this task?

- A. Cloud Tiering Appliance

- B. SAN Copy
- C. PPME
- D. VNX Replicator

Correct Answer: A
Explanation

Explanation/Reference:

QUESTION 103

A customer is planning on migrating fourteen Windows clusters onto a VNX. They want to preserve all CIFS server names.

Using best practices, which option would you recommend?

- A. VNX doesn't support multiple CIFS instances: they need to consolidate into one.
- B. Create a separate VDM for each CIFS server instance.
- C. Add one more VNX array to the solution.
- D. Place all CIFS server instances into one VDM.

Correct Answer: B
Explanation

Explanation/Reference:

QUESTION 104

A customer is looking to migrate an existing VNX gateway from a CLARiiON CX-4 backend to a VMAX.

Which migration option mitigates risk and requires the least effort?

- A. Install a new VNX gateway to a VMAX, and use VNX Replicator to migrate the data.
- B. Use SAN Copy to move all VNX LUNs to the VMAX.
- C. Use the file system migration tool in Unisphere.
- D. Use SAN Copy to move control LUNs to the VMAX, and use VNX Replicator to migrate data volumes.

Correct Answer: A
Explanation

Explanation/Reference:

QUESTION 105

A customer is replacing a CLARiiON CX-4 array with a VNX array. SAN Copy Pull is determined to be the best method to migrate the data. What is an advantage of using the pull method in this scenario?

- A. Permits use of faster SPs
- B. Faster transfer of data
- C. Uses Incremental transfer
- D. Higher load on the source array

Correct Answer: A
Explanation

Explanation/Reference:

QUESTION 106

A customer has a VNX array replicating to a CX array using MirrorView/S. A new VNX array will be installed and used for testing. A copy of the existing VNX/CX data needs to reside on the new VNX array. Incremental SAN Copy will be used to perform the copy.

Which will be a valid source LUN for the migration?

- A. Reserved LUN pool LUN
- B. Snapshot of MirrorView/S primary image
- C. MirrorView/S secondary image
- D. Snapshot of MirrorView/S secondary image

Correct Answer: C

Explanation

Explanation/Reference:

QUESTION 107

Your customer has purchased a VNX and wants to migrate their block and file data from their legacy integrated Celerra. They would like to use their existing EMC File Management Appliance to migrate all of the data.

What do you recommend?

- A. The File Management Appliance will not migrate block data.
- B. The File Management Appliance will migrate block data.
- C. You can only move one protocol with the File Management Appliance.
- D. Incremental copies can be performed with the File Management Appliance.

Correct Answer: A

Explanation

Explanation/Reference:

QUESTION 108

Your customer recently bought VNX storage array to consolidate multiple NetApp arrays. The customer has Windows and UNIX servers as well NFS and CIFS file systems.

What migration tools are available to migrate the data from NetApp to VNX?

- A. Open Migrator for block; rsync and emcopy for file
- B. Open Replicator and MirrorView for block; emcopy and CDMS for file
- C. SAN Copy and Open Replicator for block; rsync for file
- D. SAN Copy and SRDF for block; SecureCopy for file

Correct Answer: A

Explanation

Explanation/Reference:

To Read the [Whole Q&As](#), please purchase the [Complete Version](#) from [Our website](#).

Trying our product !

- ★ **100%** Guaranteed Success
- ★ **100%** Money Back Guarantee
- ★ **365 Days** Free Update
- ★ **Instant Download** After Purchase
- ★ **24x7** Customer Support
- ★ Average **99.9%** Success Rate
- ★ More than **69,000** Satisfied Customers Worldwide
- ★ Multi-Platform capabilities - **Windows, Mac, Android, iPhone, iPod, iPad, Kindle**

Need Help

Please provide as much detail as possible so we can best assist you.

To update a previously submitted ticket:



 One Year Free Update <p>Free update is available within One Year after your purchase. After One Year, you will get 50% discounts for updating. And we are proud to boast a 24/7 efficient Customer Support system via Email.</p>	 Money Back Guarantee <p>To ensure that you are spending on quality products, we provide 100% money back guarantee for 30 days from the date of purchase.</p>	 Security & Privacy <p>We respect customer privacy. We use McAfee's security service to provide you with utmost security for your personal information & peace of mind.</p>
---	---	--

[Guarantee & Policy](#) | [Privacy & Policy](#) | [Terms & Conditions](#)

Any charges made through this site will appear as Global Simulators Limited.

All trademarks are the property of their respective owners.

Copyright © 2004-2015, All Rights Reserved.