

Exam : **FN0-103**

Title : Foundry Networks Certified
Network Professional

Version : DEMO

1. Which RMON group provides samplings of packet and error statistics captured at regular intervals?

- A. events
- B. alarms
- C. statistics
- D. history

Answer: D

2. How does a switch communicate bridge IDs to neighboring switches?

- A. RIP
- B. ICMP
- C. IP
- D. BPDU

Answer: D

3. Which of the following is a link state routing protocol?

- A. IPX
- B. LAT C.
- IGRP D.
- OSPF

Answer: D

4. Which routing solution prevents loop problems by sending a maximum hop count when a link goes down?

- A. Split horizon
- B. Poison reverse
- C. STP D.
- OSPF

Answer: B

5. What transport layer protocol provides a connection oriented service?

- A. UDP
- B. STP
- C. TCP
- D. ARP

Answer: C

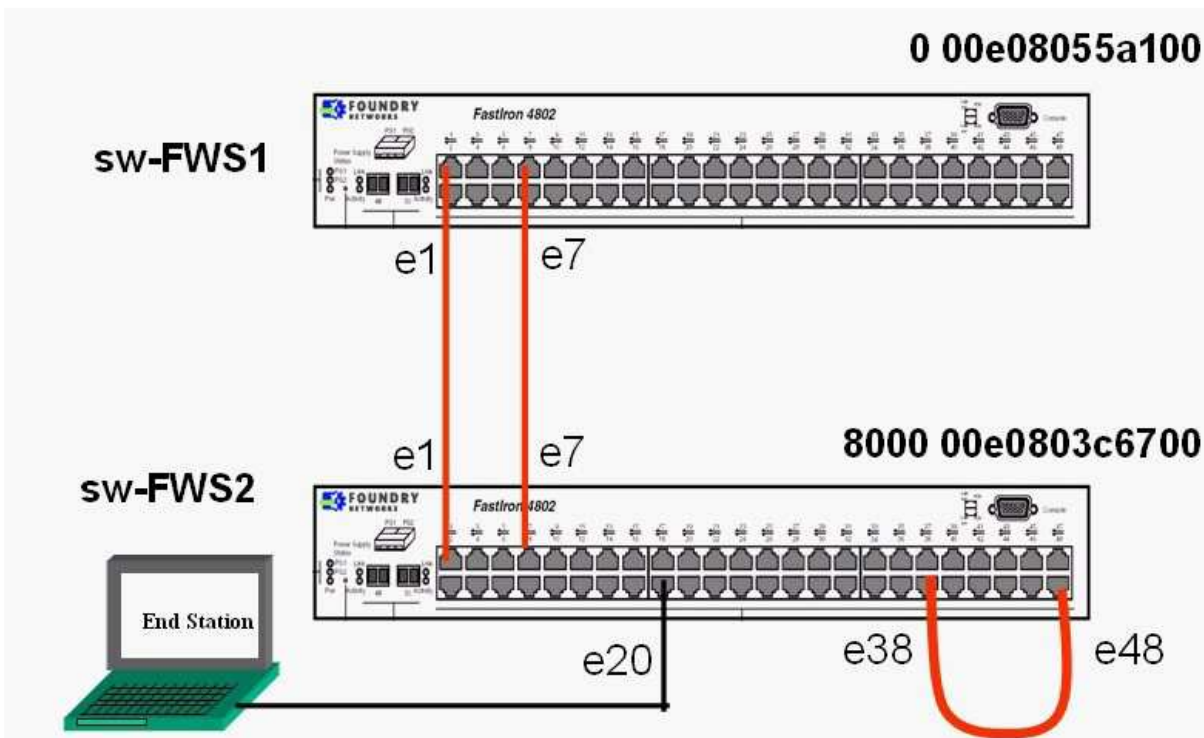
6. OSPF routers with membership in multiple areas are known as which of the following?

- A. autonomous system boundary router
- B. autonomous system

- C. area border router
- D. link-state advertisement

Answer: C

7. Switch sw-FWS2 (see diagram) is running 802.1w (RSTP), with default settings. It has a crossover cable between ports e38 and e48. Select the combination of port titles that match the ports.



- A. e38: Root Port e48: Alternate Port
- B. e38: Designated Port e48: Designated Port
- C. e38: Alternate Port e48: Root Port
- D. e38: Backup Port e48: Designated Port
- E. e38: Designated Port e48: Backup Port.

Answer: E

8. BPDUs send configuration information messages using what type of frames?

- A. unicast
- B. multicast
- C. tcp
- D. udp

Answer: B

9. What is the difference between TACACS+ and TACACS?

- A. TACACS is an enhancement to TACACS+
- B. TACACS is TCP based and TACACS+ is UDP based

C. TACACS+ provides encryption and uses TCP.

D. TACACS+ provides encryption and uses UDP.

Answer: C

10. What is the standard IP multicast address for all routers?

A. 224.0.0.18

B. 224.0.0.1

C. 224.0.0.0

D. 224.0.0.2

Answer: D

11. Which of the following ranges are defined as well-known port numbers?

A. 0-255

B. 1-256

C. 1-1023

D. 1-2048

Answer: C

12. Which 802.1d state will a switch's Root Port and Designated Port enter after the 2nd expiration of the forwarding-delay timer.

A. Learning

B. Listening

C. Forwarding

D. Blocking

Answer: C

13. What are OSPF routers that run multiple protocols and serve as gateway to routers outside an area and those operating with different protocols?

A. area border router

B. autonomous system boundary router

C. autonomous system

D. redistribution router

Answer: B

14. What is the maximum hop count allowed by RIP?

A. 15

B. 10

C. 255

D. no limit

Answer: A

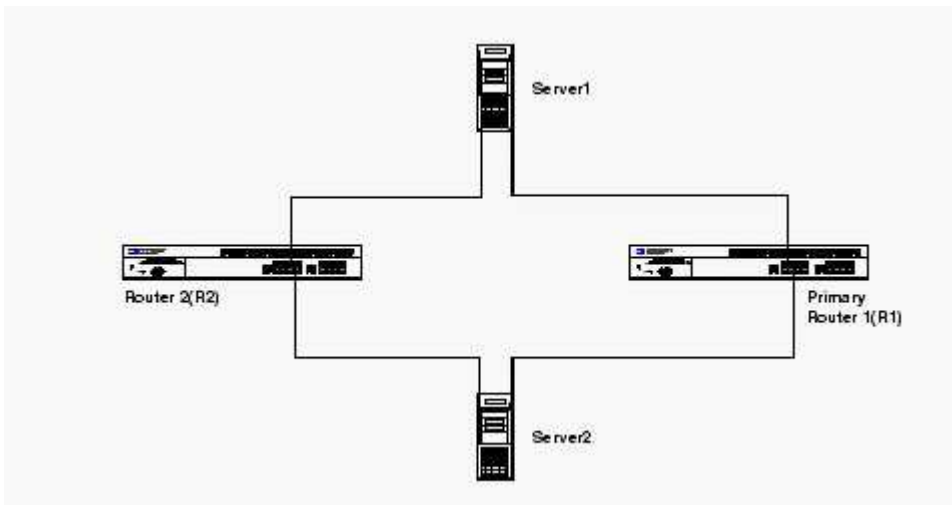
15. Access list filters should be applied closest to the source node or network where you want to deny access?

A. True B.

False

Answer: A

16. In this RIP network, the administrator wants to ensure that all traffic between server1 and server2 is routed through router 1 and that router 1 is seen as the primary router. To ensure that this occurs, the administrator should configure which of the following?



A. Assign higher hop counts to the router interfaces on router 1

B. Assign higher hop counts to the router interfaces on router 2

C. Assign a higher hop count between Server 1 and R1, and lower hop count between Server 2 and R1

D. Assign a lower hop count between Server 1 and R2, and a higher hop count between Server 2 and R2

Answer: B

17. Which STP bridge parameter manages the interval a bridge will wait for receipt of a hello packet before initiating a topology change?

A. priority

B. forward delay

C. maximum age

D. hello time

Answer: C

18. What routing metric does RIP use to select the best path?

A. hop count

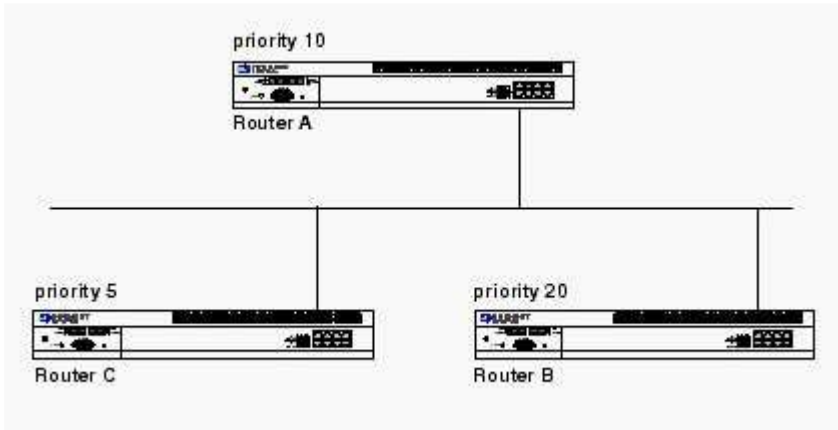
B. delay

C. TTL

D. bandwidth

Answer: A

19. The diagram shows an OSPF network with no designated router (DR) and no backup designated router (BDR). Which of the following statements identify which routers will be selected DR and BDR?



A. Router C is DR, Router B is BDR

B. Router B is DR, Router A is BDR

C. Router B is BDR, Router A is DR

D. Router A is DR, Router C is BDR

Answer: B

20. In which 802.1d state does a switch build its MAC tables?

A. Learning

B. Listening

C. Forwarding

D. Blocking

Answer: A

Trying our product !

- ★ **100%** Guaranteed Success
- ★ **100%** Money Back Guarantee
- ★ **365 Days** Free Update
- ★ **Instant Download** After Purchase
- ★ **24x7** Customer Support
- ★ Average **99.9%** Success Rate
- ★ More than **69,000** Satisfied Customers Worldwide
- ★ Multi-Platform capabilities - **Windows, Mac, Android, iPhone, iPod, iPad, Kindle**

Need Help

Please provide as much detail as possible so we can best assist you.

To update a previously submitted ticket:



 One Year Free Update Free update is available within One Year after your purchase. After One Year, you will get 50% discounts for updating. And we are proud to boast a 24/7 efficient Customer Support system via Email.	 Money Back Guarantee To ensure that you are spending on quality products, we provide 100% money back guarantee for 30 days from the date of purchase.	 Security & Privacy We respect customer privacy. We use McAfee's security service to provide you with utmost security for your personal information & peace of mind.
---	---	--

Guarantee & Policy | Privacy & Policy | Terms & Conditions

Any charges made through this site will appear as Global Simulators Limited.

All trademarks are the property of their respective owners.

Copyright © 2004-2014, All Rights Reserved.