

**100%** Money Back  
**Guarantee**

**Vendor:**Juniper

**Exam Code:**JN0-660

**Exam Name:**Service Provider Routing and Switching,  
Professional

**Version:**Demo

**QUESTION 1**

IS-IS is configured to support both IPv4 and IPv6 routing. Which statement is true?

- A. Separate IPv4 and IPv6 hellos will be sent.
- B. IPv6 will have a separate link-state database.
- C. IS-IS v6 support must be enabled under protocols isis.
- D. IS-IS sends IPv6 topology information as new TLVs in existing LSPs.

Correct Answer: D

---

**QUESTION 2**

Which three statements are true about the BGP community attribute? (Choose three.)

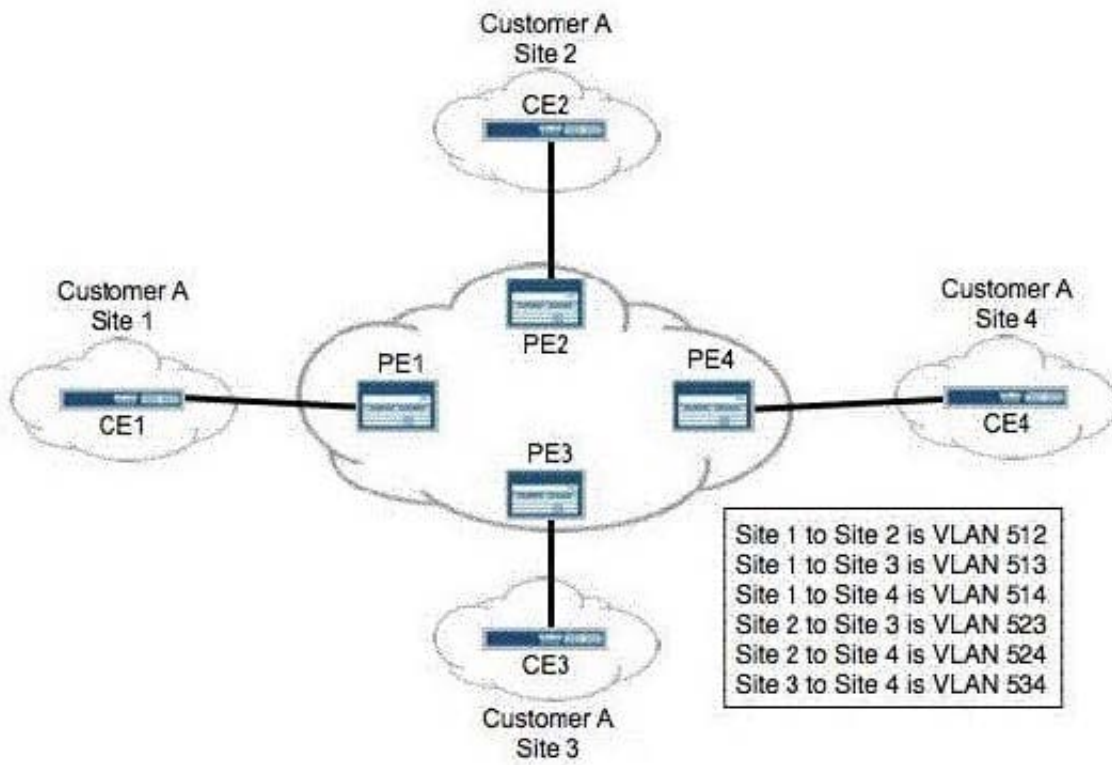
- A. There are three well-known communities.
- B. Communities can be used to signal local preference in other AS networks.
- C. Only well-known communities can be passed between AS networks.
- D. Routing policies can be simplified using BGP communities.
- E. Communities are used in the route selection process.

Correct Answer: ABD

---

**QUESTION 3**

Click the Exhibit button.



You are provisioning a full-mesh BGP Layer 2 VPN for Customer A. The customer has four remote sites in their network. Using best practices, you assigned interface unit numbers matching the assigned VLAN numbers. Which Layer 2 VPN configuration is correct for PE2?

```
A. 12vpn {
    encapsulation-type ethernet-vlan;
    site CE2 {
        site-identifier 2;
        interface ge-0/0/0.523;
        interface ge-0/0/0.512;
        interface ge-0/0/0.524;
    }
}
```

```
B. 12vpn {
    encapsulation-type ethernet-vlan;
    site CE2 {
        site-identifier 2;
        interface ge-0/0/0.523;
        interface ge-0/0/0.524;
        interface ge-0/0/0.512;
    }
}
```

```
C. 12vpn {
    encapsulation-type ethernet-vlan;
    site CE2 {
        site-identifier 2;
        interface ge-0/0/0.512;
        interface ge-0/0/0.523;
        interface ge-0/0/0.524;
    }
}
```

```
D. 12vpn {
    encapsulation-type ethernet-vlan;
    site CE2 {
        site-identifier 2;
        interface ge-0/0/0.512;
        interface ge-0/0/0.524;
        interface ge-0/0/0.523;
    }
}
```

A. Option A

B. Option B

C. Option C

D. Option D

Correct Answer: C

---

#### QUESTION 4

Click the Exhibit button.

```
drop-profiles {  
  profileA {  
    fill-level 60 drop-probability 60;  
    fill-level 80 drop-probability 70;  
    fill-level 100 drop-probability 100;  
  }  
}
```

Given the drop profile in the exhibit, what is the drop probability when the buffer reaches 90% full?

- A. 60%
- B. 70%
- C. 85%
- D. 90%

Correct Answer: B

---

#### QUESTION 5

You have an existing Layer 3 VPN connecting Site 1 and Site 2. Both CE devices are in the same autonomous system and are sharing routes with your PE devices using EBGP. You must share routes between the sites.

Which BGP configuration parameter must you use?

- A. Advertise-inactive
- B. Remove-private
- C. As-override
- D. Multihop

Correct Answer: C

---

#### QUESTION 6

What does the Junos command advertise-inactive allow?

- A. OSPF inactive routes to be advertised using BGP
- B. inactive and hidden BGP routes to be redistributed into OSPF

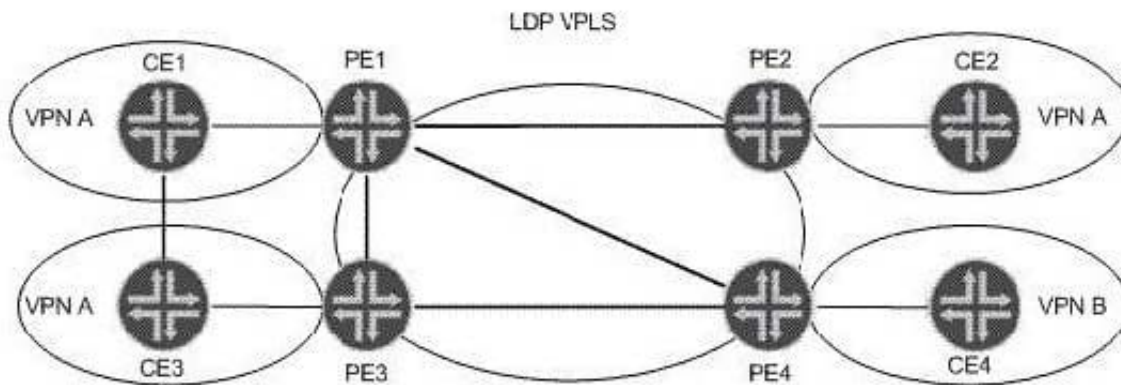
- C. the best BGP route to be re-advertised by BGP, even when it is not the best route
- D. the second-best BGP route to be re-advertised by BGP, to back up the best BGP route

Correct Answer: C

---

**QUESTION 7**

Click the Exhibit button.



Your IT manager asks you to describe a benefit of migrating from LDP VPLS towards BGP VPLS considering the operational network shown in the exhibit. What can you tell your manager?

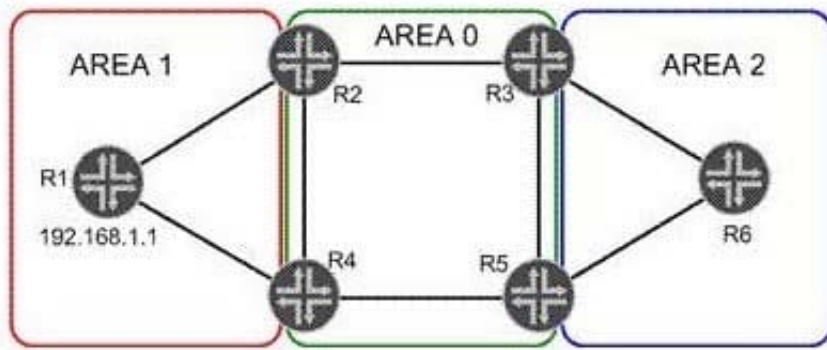
- A. Using BGP signaling improves scaling, because a full mesh of transport LSPs is not needed.
- B. MAC addresses are learned through BGP instead of LDP, which improves scaling.
- C. Ingress PE replication can be reduced, because BGP VPLS supports P2MP LSPs.
- D. Configuration overhead is reduced when adding new sites or new VPNs.

Correct Answer: D

---

**QUESTION 8**

Click the Exhibit button.



In the exhibit, R1 has a loopback address of 192.168.1.1. Its loopback interface is included in OSPF Area 1. Which two statements are true? (Choose two.)

- A. R1 will advertise the loopback address in a Type 1 LSA.
- B. R1 will advertise the loopback address in a Type 3 LSA.
- C. Area 0 will see the loopback address in a Type 1 LSA.
- D. Area 0 will see the loopback address in a Type 3 LSA.

Correct Answer: AD

#### QUESTION 9

You want to ensure that your all-Junos MPLS core network does not decrease the TTL when using ping and traceroute from IP endpoints. Which two configuration parameters satisfy this requirement? (Choose two.)

- A. no-decrement-ttl, configured on all routers in the path
- B. no-decrement-ttl, configured on the ingress router only
- C. no-propagate-ttl, configured on all routers in the path
- D. no-propagate-ttl, configured on the ingress router only

Correct Answer: BC

#### QUESTION 10

You are using the 224.2.0.0/16 multicast address range for SSM applications in your network. However, since you have deployed SSM in your network, SAP/SDP application communications have not been functioning properly.

What must you do to allow the SSM and SAP/SDP applications to function properly?

- A. Use the 232.0.0.0/3 address range for SAP/SDP applications.
- B. Use the 232.0.0.0/B address range for SSM applications.

C. Use the 224.1.0.0/16 address range for SAP/SDP applications.

D. Use the 224.1.0.0/16 address range for SSM applications

Correct Answer: B

---

#### **QUESTION 11**

Refer to the exhibit.



```
[edit]
user@router# show protocols bgp
traceoptions {
    file bgptrace files 5 world-readak
    flag bfd;
}
log-updown;
group internal-peers {
    type internal;
    local-address 192.168.6.5;
    export send-direct;
    neighbor 192.163.6.4;
    neighbor 192.168.40.4;
}
```

```
[edit]
user@router# show policy-options
policy-statement send-direct {
    term 2 {
        from protocol direct;
        then accept;
    }
}
```

```
[edit]
user@router# show routing-options
bmp {
    station-address 192.168.44.100;
    station-port 12666;
}
router-id 192.168.6.5;
autonomous-system    ;
```

Your network engineer reported that they lost BGP connectivity to the neighbor 192.163.6.4 one hour ago, for five to ten minutes.

What are two ways to determine what happened? (Choose two.)

- A. Run the show bgp neighbor orf 192.163.6.4 detail command.
- B. View the information on the BGP monitoring station at 192.168.44.100.
- C. Run the show log bgptrace command and search for the time of the lost connectivity.
- D. Run the show log messages command and search for the time of the lost connectivity.

Correct Answer: BD

---

## QUESTION 12

What are three Junos automation scripts? (Choose three.)

- A. op scripts
- B. pulse scripts
- C. commit scripts
- D. event scripts
- E. action scripts

Correct Answer: ACD