

**100%** Money Back  
**Guarantee**

**Vendor:**Microsoft

**Exam Code:**MS-721

**Exam Name:**Microsoft 365 Certified: Collaboration  
Communications Systems Engineer Associate

**Version:**Demo

## QUESTION 1

### HOTSPOT

You have a Microsoft Teams Phone deployment.

You need to ensure that incoming calls to a user are forwarded to a phone number of +15552224190 if the calls are NOT answered within 20 seconds.

How should you complete the PowerShell script? To answer, select the appropriate options in the answer area.

Hot Area:

#### Answer Area

```
$Upn = (Get-CsOnlineVoiceUser)
```

	▼
Grant-CsDialoutPolicy	
Grant-CsIPPhonePolicy	
Grant-CsOnlineVoiceRoutingPolicy	
Set-CsOnlineAudioConferencingRoutingPolicy	

```
-Identity $upn -UnansweredTarget "+15552224190"
```

```
-UnansweredDelay "00:00:20" -IsUnansweredEnabled $true
```

	▼
-ManageSettings	
-PhoneNumberType	
-UnansweredTargetType	

SingleTarget

Correct Answer:

#### Answer Area

```
$Upn = (Get-CsOnlineVoiceUser)
```

	▼
Grant-CsDialoutPolicy	
Grant-CsIPPhonePolicy	
Grant-CsOnlineVoiceRoutingPolicy	
Set-CsOnlineAudioConferencingRoutingPolicy	

```
-Identity $upn -UnansweredTarget "+15552224190"
```

```
-UnansweredDelay "00:00:20" -IsUnansweredEnabled $true
```

	▼
-ManageSettings	
-PhoneNumberType	
-UnansweredTargetType	

SingleTarget

---

## QUESTION 2

Your company has a Microsoft 365 E5 subscription that uses Microsoft Teams.

The company has a department named HR.

You need to ensure that when a user in the HR department creates a highly confidential meeting, a watermark is applied to the recording.

Which two actions should you perform? Each correct answer presents part of the solution.

- A. Assign a meeting policy for the HR department users.
- B. Assign a Microsoft Teams Premium license to the HR department users.
- C. Assign a customization policy for the HR department users.
- D. Assign an Azure Information Protection Premium P2 license to the HR department users.
- E. Assign a meeting template policy for the HR department users.
- F. Assign an Azure Active Directory Premium P2 license to the HR department users.

Correct Answer: AB

[https://learn.microsoft.com/en-US/microsoftteams/settings-policiesreference?WT.mc\\_id=TeamsAdminCenterCSH#watermark](https://learn.microsoft.com/en-US/microsoftteams/settings-policiesreference?WT.mc_id=TeamsAdminCenterCSH#watermark)

---

### QUESTION 3

You have a Microsoft Teams Phone deployment that has 10 offices. Each office has a Session Border Controller (SBC). A user reports that she can make internal calls by using the dial pad, but cannot use the dial pad to make external calls. What is a possible cause of the issue?

- A. The user has the incorrect Teams app setup policy applied.
- B. The user has the incorrect voice routing policy applied.
- C. The user is missing a validated emergency address.
- D. Enterprise Voice is disabled for the user.

Correct Answer: B

Reference: <https://docs.microsoft.com/en-us/microsoftteams/manage-voice-routing-policies>

---

### QUESTION 4

#### HOTSPOT

You have a Microsoft Teams Phone deployment

You are implementing dynamic emergency calling.

You need to define a network topology for the implementation.

How should you complete the PowerShell script? To answer, select the appropriate options in the answer area.

Hot Area:

New-CsTenantNetworkRegion -NetworkRegionID "US"

-NetworkSiteID "OH1" -NetworkRegionID "US"

New-CsOnlineLisLocation
New-CsTenantNetworkSite
New-CsTenantNetworkSubnet
New-CsTenantTrustedIPAddress

"10.10.0.0" -MaskBits  
"22" -NetworkSiteID "OH1"

-IPAddress
-SiteAddress
-SubnetID

Correct Answer:

New-CsTenantNetworkRegion -NetworkRegionID "US"

-NetworkSiteID "OH1" -NetworkRegionID "US"

New-CsOnlineLisLocation
New-CsTenantNetworkSite
New-CsTenantNetworkSubnet
New-CsTenantTrustedIPAddress

"10.10.0.0" -MaskBits  
"22" -NetworkSiteID "OH1"

-IPAddress
-SiteAddress
-SubnetID

---

## QUESTION 5

### HOTSPOT

You have a Microsoft Teams Phone employment mat contains a Session Border Controller (SBC named SBCi.contoso.com.

Direct Routing integrates with a P6X phone system that uses only fourdigit dialing and is configured to use the SBC.

Teams is configured to use dial plans that normalize any four-digit calls to E-164. You have the following translation rule.

Hot Area:



Correct Answer:



---

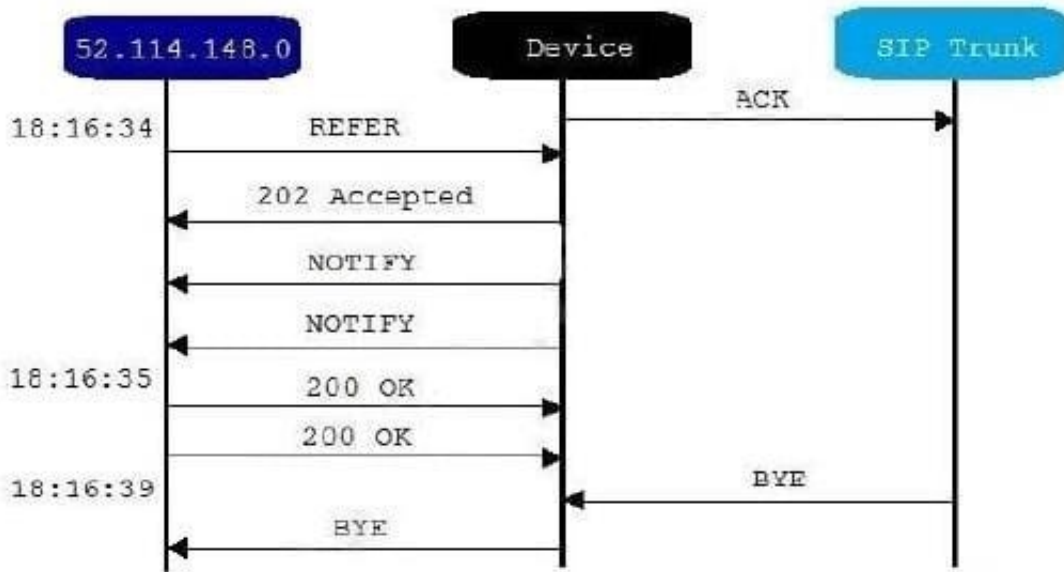
## QUESTION 6

Your company has a Microsoft Teams Phone deployment that uses Direct Routing and a single carrier.

You deploy a new Session Border Controller (SBC) that shows as healthy in the Microsoft Teams admin center.

You place a test call over the new SBC, and the call succeeds.

When you attempt to transfer the call, the transfer fails. A portion of the SIP ladder is shown in the exhibit. (Click the Exhibit tab.)



What is a possible cause of the issue?

- A. The SSL certificate of the SBC is incorrect.
- B. The Refer on the SBC is misconfigured.
- C. notify is enabled in the SIP options of the SBC.
- D. The carrier rejects the format of the forwarded FROM number.

Correct Answer: B

Reference: <https://docs.microsoft.com/en-us/microsoftteams/troubleshoot/phone-system/directrouting/issues-with-call-transfers>

## QUESTION 7

### HOTSPOT

You have a Teams Phone deployment that contains an Operator Connect provider in Canada.

You implement a common area phone named lobbyphone1.

You need to configure lobbyphonel to meet the following requirements:

Outgoing calls must be placed only from within Canada.

Dial out during audio conferencing must be restricted.

How should you complete the command? To answer, select the appropriate options in the answer area.

Hot Area:

## Answer Area

Grant-CsDialoutPolicy
Grant-CsIPPhonePolicy
Grant-CsOnlineVoiceRoutingPolicy
Set-CsOnlineAudioConferencingRoutingPolicy

`-Identity lobbyphone@contoso.com -PolicyName`

DialoutCPCandPSTNDomestic
DialoutCPCZoneAPSTNDisabled
DialoutCPCZoneAPSTNDomestic
DialoutCPCDisabledPSTNDomestic

Correct Answer:



## Answer Area

	▼
Grant-CsDialoutPolicy	
Grant-CsIPPhonePolicy	
Grant-CsOnlineVoiceRoutingPolicy	
Set-CsOnlineAudioConferencingRoutingPolicy	

`-Identity lobbyphone@contoso.com -PolicyName`

	▼
DialoutCPCandPSTNDomestic	
DialoutCPCZoneAPSTNDisabled	
DialoutCPCZoneAPSTNDomestic	
DialoutCPCDisabledPSTNDomestic	

---

### QUESTION 8

#### HOTSPOT

You need to meet the technical requirements for the returns department.

How should you complete the PowerShell script? To answer, select the appropriate options in the answer area.

Hot Area:

#### Answer Area

```
$ObjId = (Get-CsOnlineApplicationInstance -Identity returns.aa@contoso.com).ObjectId
```

	▼	<code>-Identity Returns -CallingIDSubstitute</code>		▼
New-CsCallingLineIdentity			Anonymous	
New-CsOnlineApplicationInstance			LineURI	
New-CsTeamsCallingPolicy			Resource	
New-CsTeamsCallParkPolicy			Service	

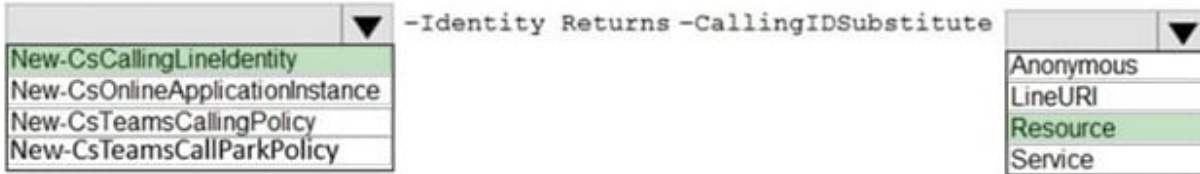
```
-EnableUserOverride $false -ResourceAccount $ObjId -CompanyName "Contoso"
```



Correct Answer:

### Answer Area

```
$ObjId = (Get-CsOnlineApplicationInstance -Identity returns.aa@contoso.com).ObjectId
```



```
-EnableUserOverride $false -ResourceAccount $ObjId -CompanyName "Contoso"
```

---

### QUESTION 9

You have a Microsoft Teams Phone deployment.

You deploy a new network site.

You discover that the new site is not listed in location-based reports. Other sites appear in the reports.

You need to ensure that all the sites appear in the reports.

What should you do?

- A. From Network planner in the Microsoft Teams admin center, modify an existing network plan.
- B. From Network planner in the Microsoft Teams admin center, add a new persona.
- C. From the Microsoft Call Quality Dashboard, select Tenant Data Upload and upload a CSV file that contains the new network site only.
- D. From the Microsoft Call Quality Dashboard, select Tenant Data Upload and upload a CSV file that contains all the network sites.
- E. From Network planner in the Microsoft Teams admin center, add a new network plan.

Correct Answer: D

Reference: <https://docs.microsoft.com/en-us/microsoftteams/cqd-upload-tenant-building-data>

---

### QUESTION 10

Your company assigns an Office 365 E3 license to each user. All users are in France.

You plan to deploy Direct Routing.

Which additional license should you assign to the users?

- A. Microsoft 365 Domestic and International Calling Plan

B. Microsoft Teams Phone Standard - Virtual User

C. Microsoft 365 Domestic Calling Plan

D. Microsoft 365 Audio Conferencing

E. Microsoft Teams Phone Standard

Correct Answer: E

---

## QUESTION 11

### HOTSPOT

You have a Microsoft Teams Phone deployment. Direct Routing is enabled for all users. The users can place and receive PSTN calls. You are implementing emergency numbers in Teams.

You need to remove the + symbol from any three-digit calls to the Session Border Controller (SBC)..

How should you complete the PowerShell script? To answer, drag the appropriate values to the correct targets. Each value may be used once, more than once, or not at all.

You may need to drag the split bar between panes or scroll to view content.

Hot Area:

### Answer Area

The screenshot shows a PowerShell script editor with a hot area. The script text is: `-Identity 'TR1' -Pattern '^\\+?(\\d{3})$' -Translation '$1'`. A dropdown menu is open, showing the following options: `New-CsOnlinePSTNGateway`, `New-CsOnlinePstnUsage`, `New-CsTeamsTranslationRule`, and `New-CsVoiceNormalizationRule`. Below the script, there are two more dropdown menus. The first dropdown menu is open, showing the following options: `Set-CsOnlineAudioConferencingRoutingPolicy`, `Set-CsOnlinePSTNGateway`, `Set-CsOnlinePstnUsage`, and `Set-CsOnlineVoiceUser`. The second dropdown menu is open, showing the following options: `-InboundPSTNumberTranslationRules`, `-OnlinePstnUsages`, `-OutboundPstnNumberTranslationRules`, `-OutboundTeamsNumberTranslationRules`, and `-Usage`.

Correct Answer:

**Answer Area**

	-Identity 'TR1' -Pattern '^\\+?(\\d{3})\$' -Translation '\$1'	
New-CsOnlinePSTNGateway		
New-CsOnlinePstnUsage		
New-CsTeamsTranslationRule		
New-CsVoiceNormalizationRule		

	-Identity SBC1@contoso.com			-Identity 'TR1'
Set-CsOnlineAudioConferencingRoutingPolicy				
Set-CsOnlinePSTNGateway				-InboundPSTNumberTranslationRules
Set-CsOnlinePstnUsage				-OnlinePstnUsages
Set-CsOnlineVoiceUser				-OutboundPstnNumberTranslationRules
				-OutboundTeamsNumberTranslationRules
				-Usage

**QUESTION 12**

Your company deploys 200 Microsoft Teams Rooms on Windows systems.

You are evaluating whether to purchase the Microsoft Teams Rooms Premium license for the rooms.

Which two actions require the Microsoft Teams Rooms Premium license? Each correct answer presents a complete solution.

- A. Download device logs.
- B. View peripheral health.
- C. Get reporting insights into room usage and participant count
- D. Postpone updates until a certain date.
- E. Modify the Direct guest jam settings

Correct Answer: BC

Reference: <https://docs.microsoft.com/en-us/microsoftteams/rooms/microsoft-teams-roomspremium>